

ASR & ASK

Measuring current transformers

Data sheet



1. About measuring current transformers

1.1 About measuring current transformers.....	4
1.2 General technical specifications.....	4
1.3 Accuracy classes of measuring current transformers.....	4
1.4 Overview of measuring current transformers.....	5
1.5 Disclaimer.....	10
1.6 Copyright.....	11

2. ASR Measuring current transformers

2.1 ASR 14.3 measuring current transformers.....	12
2.2 ASR 20.3 measuring current transformers.....	12
2.3 ASR 201.3 measuring current transformers.....	13
2.4 ASR 21.3 measuring current transformers.....	14
2.5 ASR 21.5 measuring current transformers.....	15
2.6 ASR 22.3 measuring current transformers.....	16

3. ASK measuring current transformers

3.1 ASK 21.3 measuring current transformer.....	17
3.2 ASK 31.3 measuring current transformers.....	18
3.3 ASK 31.4 measuring current transformers.....	19
3.4 ASK 31.5 measuring current transformers.....	20
3.5 ASK 31.6 measuring current transformers.....	21
3.6 ASK 41.3 measuring current transformers.....	22
3.7 ASK 41.4 measuring current transformers.....	23
3.8 ASK 41.5 measuring current transformers.....	24
3.9 ASK 41.6 measuring current transformers.....	25
3.10 ASK 51.4 measuring current transformers.....	26
3.11 ASK 51.6 measuring current transformers.....	27
3.12 ASK 61.4 measuring current transformers.....	29
3.13 ASK 63.4 measuring current transformers.....	30
3.14 ASK 63.6 measuring current transformers.....	31
3.15 ASK 81.4 measuring current transformers.....	32
3.16 ASK 83.4 measuring current transformers.....	33
3.17 ASK 101.4 measuring current transformers.....	34
3.18 ASK 101.4 2U measuring current transformers.....	35
3.19 ASK 103.3 measuring current transformers.....	36
3.20 ASK 103.41 measuring current transformers.....	37
3.21 ASK 105.6 measuring current transformers.....	38
3.22 ASK 105.6N measuring current transformers.....	39
3.23 ASK 123.3 measuring current transformers.....	39
3.24 ASK 127.4 measuring current transformers.....	41
3.25 ASK 127.6 measuring current transformers.....	42
3.26 ASK 128.4 measuring current transformers.....	43
3.27 ASK 129.10 measuring current transformers.....	43
3.28 ASK 130.3 measuring current transformers.....	44
3.29 ASK 130.5 measuring current transformers.....	45
3.30 ASK 165.5 measuring current transformers.....	46
3.31 ASK 205.3 measuring current transformers.....	47
3.32 ASK 205.5 measuring current transformers.....	48
3.33 ASK 231.5 measuring current transformers.....	49

3.34 ASK 318.3 measuring current transformers..... 50
3.35 ASK 412.4 measuring current transformers..... 51
3.36 ASK 421.4 measuring current transformers..... 51
3.37 ASK 541.4 measuring current transformers..... 52
3.38 ASK 561.4 measuring current transformers..... 53

4. Accessories and options for WSK

1. About measuring current transformers

1.1 About measuring current transformers

Measuring current transformers convert high current into lower nominal current value, thus making it possible to use instruments and relays with standardised values of rated current.

DEIF offers numerous different physical sizes of the measuring transformers in two series:

- ASR: designed for round cables.
- ASK: designed for cables and busbar.

1.2 General technical specifications

Category	Specification
Frequency	50/60 Hz (16.7 to 400 Hz on request)
Nominal voltage	≤ 720 V AC *
Isolation class	E
Test voltage	3000 V, 1 min, 50 Hz (nominal voltage ≤ 720 V)
Continuous thermal nominal current	$I_{cth} = 1.0 \times I_n$
Rated short-time thermal current	$I_{th} = 60 \times I_n$, 1 sec (max. 100 kA)
Rated dynamic current	$I_{dyn} = 2.5 \times I_{th}$
Instrument security factor	FS 5 to 15 (see product label for specific value)
Operating temperature	-5° C to 50° C
Storage temperature	-25° C to 70° C
Standard references	IEC/DIN EN 61869/1+2 DIN 42600/1+2

NOTE * If a higher nominal voltage is need, use ASK 165.5 or ASK 205.5, which support voltages up to 1200 V AC.

1.3 Accuracy classes of measuring current transformers

Accuracy Class	Current error (± %) by % IN					Phase displacement error (±minutes) by % IN			
	5 %	20 %	50%	100 %	120 %	5 %	20 %	100 %	120 %
0.2S	0.35	0.2	-	0.2	0.2	30	15	10	10
0.2	0.75	0.35	-	0.2	0.2	30	15	10	10
0.5	1.5	0.75	-	0.5	0.5	90	45	30	30
1	3.0	1.5	-	1.0	1.0	180	90	60	60
3	-	-	3	-	3	Limit for phase displacement error is not specified for class 3.			

1.4 Overview of measuring current transformers

Primary nominal current [A] ↓	ASR 14.3		ASR 20.3		ASR 201.3	ASR 21.3	ASR 21.5		ASR 22.3		
	1	3	0.5	1	1	1	0.5	1	0.2S	0.5	1
30		●									
40	●										
50	●			●				●			●
60	●			●							●
75	●			●				●			●
80				●				●			●
100	●			●				●		●	●
125			●	●	●			●			
150				●	●	●	●	●			●
200				●	●	●	●	●	●		●
250				●		●					●
300				●		●		●			●
400							●				
500						●					
Round conductor	14 mm		21 mm		21 mm	22.8 mm	21.2 mm		22.5 mm		
Transf. width	45 mm		45 mm		44 mm	49.5 mm	50 mm		61 mm		

Primary nominal current [A] ↓	ASK 21.3		ASK 31.3			ASK 31.4			ASK 31.5	
	0.5	1	0.2S	0.5	1	0.2S	0.5	1	0.5	1
40										●
50					●					
60		●			●					
75		●			●			●		
80					●					●
100		●		●	●			●		●
150	●	●		●	●		●	●	●	●
200		●			●	●		●	●	●
250		●	●	●	●	●		●		
300		●		●	●		●	●		
400	●	●		●	●			●		●
500	●	●		●	●	●		●		●
600				●	●		●	●		●

Primary nominal current [A] ↓	ASK 21.3		ASK 31.3			ASK 31.4			ASK 31.5	
	0.5	1	0.2S	0.5	1	0.2S	0.5	1	0.5	1
750					●			●		●
Primary conductor	20 mm x 10 mm		30 mm x 10 mm 2 x 20 mm x 10 mm			30 mm x 10 mm 2 x 20 mm x 10 mm			30 mm x 10 mm 2 x 20 mm x 10 mm	
Round conductor	19.2 mm		26 mm			28 mm			28 mm	
Transf. width	61 mm		61 mm			61 mm			61 mm	

Primary nominal current [A] ↓	ASK 31.6			ASK 41.3	ASK 41.4			ASK 41.5	
	0.5	1	3	1	0.2S	0.5	1	0.5	1
40			●						
50							●		
60	●								
75		●							
80							●		
100							●		
150				●	●		●		
200		●		●	●	●	●		
250		●		●	●		●		
300				●	●	●	●		
400		●		●	●	●	●		
500				●	●		●		
600		●		●	●		●		
750				●			●		
800						●	●	●	●
1000						●	●		●
Primary conductor	30 mm x 10 mm 20 mm x 13 mm			40 mm x 12 mm 32 mm x 18 mm	40 mm x 10 mm 2 x 30 mm x 5 mm			2 x 30 mm x 5 mm 40 mm x 10 mm	
Round conductor	23 mm			26 mm	32 mm			32 mm	
Transf. width	95 mm			61 mm	71 mm			71 mm	

Primary nominal current [A] ↓	ASK 41.6	ASK 51.4		ASK 51.6		ASK 61.4			ASK 63.4	
	1	0.5	1	0.5	1	0.2S	0.5	1	0.5	1
100					●					
150				●	●					
200			●	●	●					
250			●	●	●		●			
300			●	●	●			●		●
400	●	●	●	●	●	●		●		●
500			●	●	●	●		●		
600			●	●	●	●		●		●
750			●	●	●	●		●		●
800		●	●	●	●		●	●		●
1000		●	●	●	●	●		●	●	●
1200			●	●	●	●	●	●		●
1250		●	●	●	●	●	●	●	●	●
1500						●	●	●	●	●
1600							●	●		
Primary conductor	50 mm x 10 mm 30 mm x 15 mm	40 mm x 12 mm 2 x 40 mm x 10 mm		50 mm x 12 mm 40 mm x 30 mm		63 mm x 10 mm 2 x 50 mm x 10 mm			60 mm x 30 mm 50 mm x 40 mm	
Round conductor	32 mm	44 mm		40 mm		44 mm			44 mm	
Transf. width	95 mm	86 mm		95 mm		96 mm			96 mm	

Primary nominal current [A] ↓	ASK 63.6	ASK 81.4			ASK 83.4	ASK 101.4		ASK 101.4 2U
	1	0.2S	0.5	1	1	0.5	1	1
300	●							
500				●				
600				●			●	
800				●				
1000			●	●	●	●	●	
1200	●			●	●			1200 - 600 A
1250	●	●	●	●			●	
1500		●	●	●	●	●	●	1500 - 750 A
1600	●	●		●			●	1600 - 800 A
1800							●	
2000			●	●	●	●	●	2000 - 1000 A
Primary conductor	60 mm x 30 mm	80 mm x 10 mm 2 x 60 mm x 10 mm			84 mm x 34 mm	100 mm x 10 mm 2 x 80 mm x 10 mm		100 mm x 10 mm 2 x 80 mm x 10 mm

Primary nominal current [A] ↓	ASK 63.6	ASK 81.4			ASK 83.4	ASK 101.4		ASK 101.4 2U
Accuracy class →	1	0.2S	0.5	1	1	0.5	1	1
Round conductor	30 mm	55 mm			34 mm	70 mm		70 mm
Transf. width	88 mm	120 mm			96 mm	130 mm		130 mm

Primary nominal current [A]	ASK 103.3		ASK 103.41		ASK 105.6			ASK 105.6N	ASK 123.3		
Accuracy class →	0.5	1	0.5	1	0.2S	0.5	1	1	0.2S	0.5	1
400			●	●							
500			●	●							
600			●	●							
750			●	●						●	
800		●	●	●							
1000		●	●	●	●					●	●
1200		●	●	●	●				●	●	●
1250			●	●					●	●	●
1500		●	●	●	●		●		●	●	●
1600	●								●	●	●
1800										●	●
2000		●	●	●	●	●	●		●	●	●
2500	●	●			●	●	●	●	●	●	●
3000		●			●	●	●		●	●	●
Primary conductor	2 x 100 mm x 10 mm 3 x 80 mm x 10 mm		103 mm x 41 mm		100 mm x 55 mm			100 mm x 55 mm	123 mm x 30 mm 3 x 100 mm x 10 mm		
Round conductor	85 mm		40 mm		55 mm			55 mm	100 mm		
Transf. width	172 mm		99 mm		129 mm			129 mm	172 mm		

Primary nominal current [A] ↓	ASK 127.4		ASK 127.6		ASK 128.4		ASK 129.10		ASK 130.3		
Accuracy class →	0.5	1	0.5	1	0.5	1	0.5	1	0.2S	0.5	1
300										●	●
400										●	●
500										●	●
600										●	●
750									●	●	●
1000	●	●							●	●	●

Primary nominal current [A] ↓	ASK 127.4		ASK 127.6		ASK 128.4		ASK 129.10		ASK 130.3		
	0.5	1	0.5	1	0.5	1	0.5	1	0.2S	0.5	1
1200	●	●							●	●	●
1250	●	●	●						●	●	●
1500	●	●							●	●	●
1600	●	●							●	●	●
1800	●	●									
2000	●	●				●					
2500	●	●			●	●					
4000			●	●							
5000			●	●							
6000							●	●			
7500								●			
Primary conductor	120 mm x 70 mm		120 mm x 70 mm		128 mm x 38 mm		120 mm x 90 mm		130 mm x 25 mm		
Round conductor	70 mm		70 mm		38 mm		90 mm		25 mm		
Transf. width	159 mm		205 mm		100 mm		250 mm		180 mm		

Primary nominal current ↓	ASK 130.5		ASK 165.5				ASK 205.3	ASK 205.5			ASK 231.5
	0.5	1	0.2S	0.2	0.5	1	1	0.2S	0.5	1	1
200							●				
250							●				●
300											●
400							●				●
500											●
1000			●		●	●					
1200			●		●	●		●	●	●	
1250			●		●	●		●	●	●	
1500			●		●	●		●	●	●	
1600			●		●	●		●	●	●	
2000		●	●	●	●	●		●	●	●	
2500	●		●		●	●		●	●	●	
3000			●		●	●		●	●	●	
3200		●									
4000			●	●	●	●		●	●	●	
5000								●	●	●	

Primary nominal current ↓	ASK 130.5		ASK 165.5				ASK 205.3	ASK 205.5			ASK 231.5
Accuracy class →	0.5	1	0.2S	0.2	0.5	1	1	0.2S	0.5	1	1
Primary conductor	130 mm x 30 mm		106 mm x 30 mm 3 x 160 mm x 10 mm				20 mm x 5 mm	230 mm x 60 mm 3 x 200 mm x 10 mm			30 mm x 10 mm
Round conductor	30 mm						17.5 mm				28 mm
Transf. width	180 mm		266 mm				49.5 mm	306 mm			50 mm

Primary nominal current [A] ↓	ASK 318.3		ASK 412.4		ASK 421.4	ASK 541.4		ASK 561.4	
Accuracy class →	0.5	1	0.5	1	1	0.5	1	0.5	1
50				●					
80						●			
100						●	●		
125					●	●	●		
150							●		
200						●	●		
300	●	●		●					●
400								●	●
500		●					●	●	
600			●	●					
750									●
800				●				●	●
1000							●	●	●
1200									●
1250								●	●
Primary conductor	31 mm x 18 mm		40 mm x 12 mm 30 mm x 15 mm		20 mm x 10 mm	40 mm x 10 mm 2 x 30 mm x 5 mm		60 mm x 10 mm 2 x 50 mm x 10 mm	
Round conductor	26 mm		30.5 mm		20 mm	32 mm		44 mm	
Transf. width	61 mm		71 mm		71 mm	86 mm		86 mm	

1.5 Disclaimer

DEIF A/S reserves the right to change any of the contents of this document without prior notice.

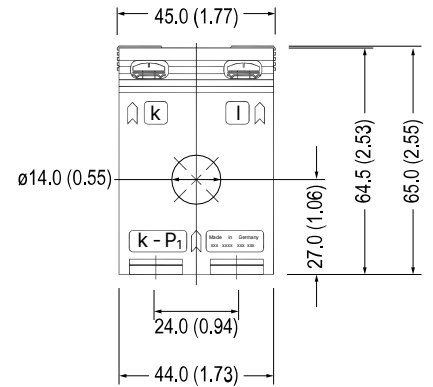
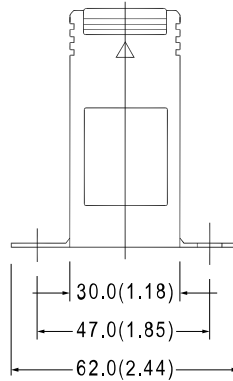
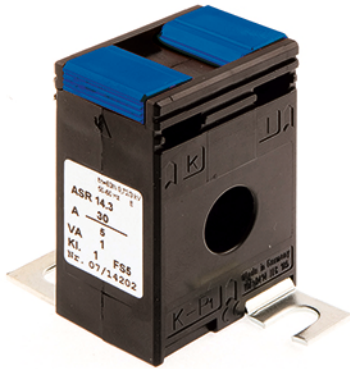
The English version of this document always contains the most recent and up-to-date information about the product. DEIF does not take responsibility for the accuracy of translations, and translations might not be updated at the same time as the English document. If there is a discrepancy, the English version prevails.

1.6 Copyright

© Copyright DEIF A/S. All rights reserved.

2. ASR Measuring current transformers

2.1 ASR 14.3 measuring current transformers

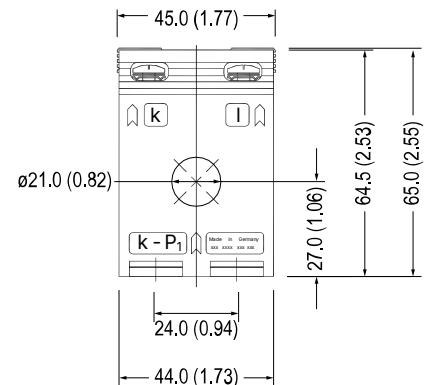
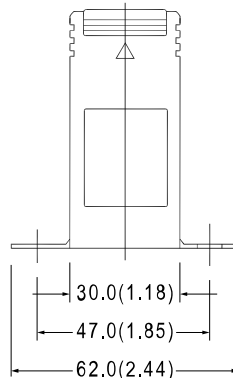
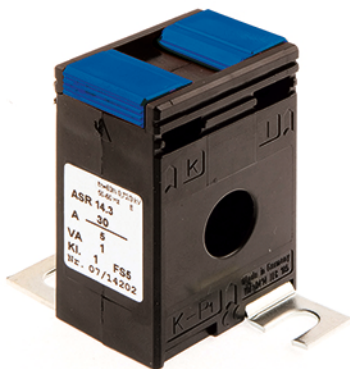


Specifications

Round conductor	Ø14 mm
Weight	0.180 - 0.240 kg (0.40 - 0.53 lbs)
DIN rail mounting	Item number 2961900710.06
Sealed shutter	Not available

Secondary current →		5A		1A
Primary current A ↓	Burden VA ↓	Accuracy class		Accuracy class
		1	3	1
30	1.0		●	
40	1.0	●		●
50	1.0	●		
50	1.5	●		
60	1.5	●		●
75	1.5	●		
100	2.5	●		

2.2 ASR 20.3 measuring current transformers

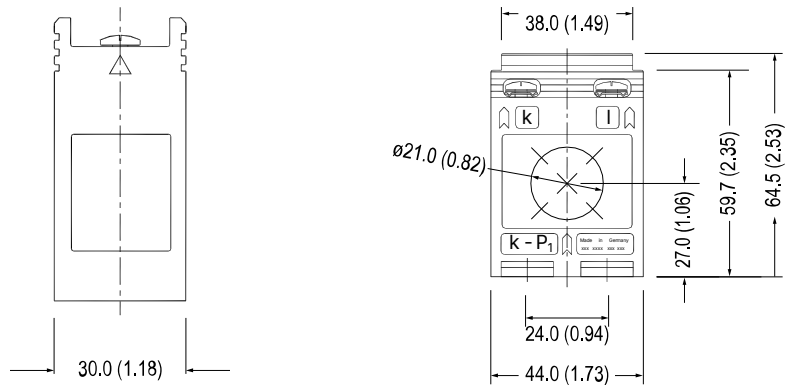


Specifications

Round conductor	Ø21 mm
Weight	0.120 - 0.190 kg (0.26 - 0.42 lbs)
DIN rail mounting	Item number 2961900710.01
Sealed shutter	Not available

Secondary current →		5A		1A
Primary current A ↓	Burden VA ↓	Accuracy class		Accuracy class
		0.5	1	1
50	1.0		●	●
60	1.0		●	●
60	1.25		●	●
75	1.25		●	
75	1.5		●	
80	1.25			●
80	1.5		●	●
100	1.5		●	●
100	2.5		●	●
125	1.5	●	●	●
125	2.5		●	
150	1.5		●	●
150	2.5		●	●
150	3.75		●	
200	1.5		●	●
200	2.5		●	●
200	3.75		●	
250	2.5		●	●
300	2.5		●	
300	5		●	

2.3 ASR 201.3 measuring current transformers

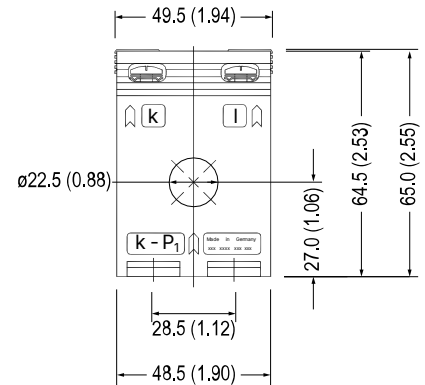
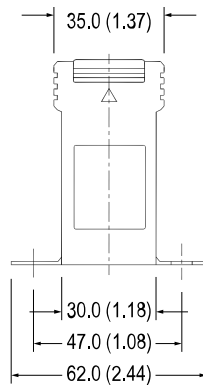
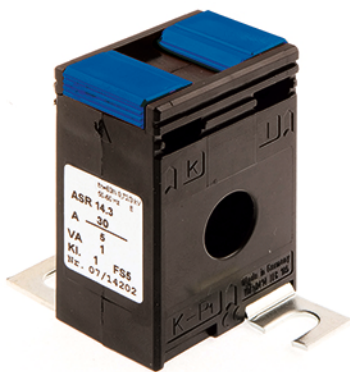


Specifications

Round conductor	Ø21 mm
Weight	0.120 - 0.190 kg (0.26 - 0.42 lbs)
DIN rail mounting	Item number 2961900710.01
Sealed shutter	Not available

Secondary current →		5A	1A
Primary current A ↓	Burden VA ↓	Accuracy class	Accuracy class
		1	1
125	1.5		●
150	1.5		●
200	2.5	●	

2.4 ASR 21.3 measuring current transformers

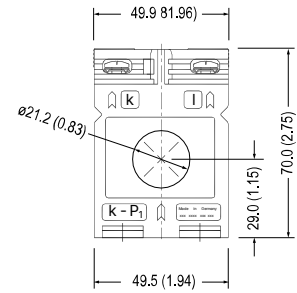
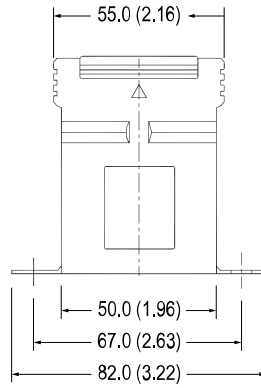


Specifications

Round conductor	Ø22.8 mm
Weight	0.150 - 0.300 kg (0.33 - 0.66 lbs)
DIN rail mounting	Item number 2961900710.02
Sealed shutter	Not available

Secondary current →		5A	1A
Primary current A ↓	Burden VA ↓	Accuracy class	Accuracy class
		1	1
150	1.5	●	
200	2.5	●	
250	1.5	●	
300	1.5	●	
300	2.5		●
300	3.75		●
500	2.5	●	

2.5 ASR 21.5 measuring current transformers

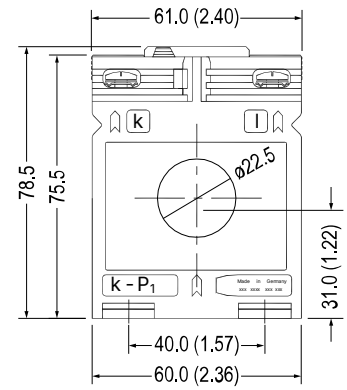
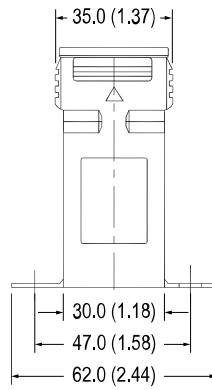


Specifications

Round conductor	Ø21.2 mm
Weight	0.210 - 0.410 kg (0.46 - 0.90 lbs)
DIN rail mounting	Not available
Sealed shutter	Not available

Secondary current →		5A		1A	
Primary current A ↓	Burden VA ↓	Accuracy class		Accuracy class	
		0.5	1	0.5	1
50	1.5		●		
75	2.5		●		
75	3.75				●
80	2.5		●		●
100	2.5		●		
100	5		●		●
125	5		●		●
150	2.5	●	●		
150	5				●
200	2.5		●		
200	5		●	●	
300	5		●		
400	2.5	●	●	●	●
400	5	●	●	●	●
400	10	●	●	●	●

2.6 ASR 22.3 measuring current transformers



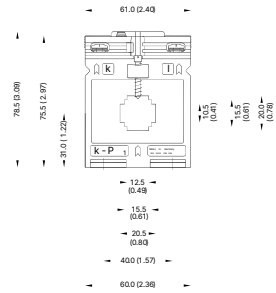
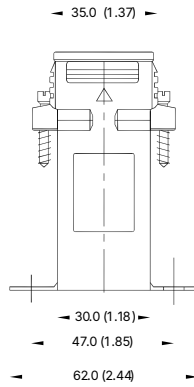
Specifications

Round conductor	Ø22.5 mm
Weight	0.170 - 0.500 kg (0.37 - 1.10 lbs)
DIN rail mounting	Item number 2961900710.03
Sealed shutter	Type 59040

Secondary current →		5A			1A
Primary current A ↓	Burden VA ↓	Accuracy class			Accuracy class
		0.2S	0.5	1	1
50	1			●	●
60	1.5			●	
75	2.5			●	●
80	2.5			●	
100	1.5			●	
100	2.5		●	●	
100	3.75			●	●
150	1.5			●	
150	5			●	●
200	5	●		●	●
200	10			●	
250	2.5			●	
250	5			●	
250	10			●	
300	10			●	

3. ASK measuring current transformers

3.1 ASK 21.3 measuring current transformer

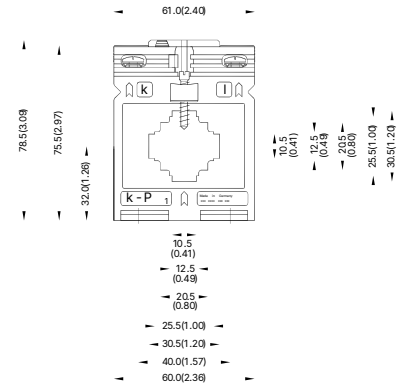
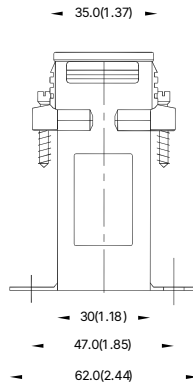


Specifications

Primary conductor	20 mm x 10 mm
Round conductor	Ø19.2 mm
Weight	0.190 - 0.380 kg (0.42 - 0.84 lbs)
DIN rail mounting	Item number 2961900710.03
Sealed shutter	Type 59040

Secondary current →		5A		1A
Primary current A ↓	Burden VA ↓	Accuracy class		Accuracy class
		0.5	1	1
60	1			●
75	1.5		●	
100	1.5			●
100	2.5		●	
100	3.75		●	
150	1.5	●	●	
150	2.5		●	
150	5	●		●
200	2.5		●	
200	5		●	
250	5		●	●
250	10			●
300	5		●	
300	10		●	
400	5	●	●	
400	10	●		
500	10	●	●	

3.2 ASK 31.3 measuring current transformers



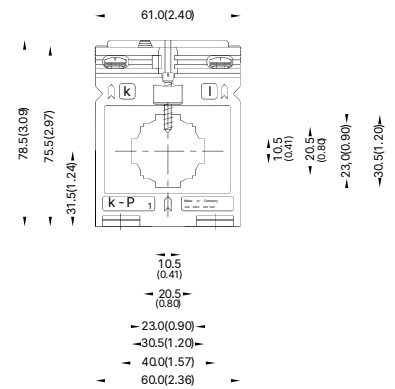
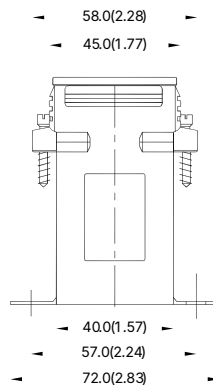
Specifications

Primary conductor	30 mm x 10 mm 2 x 20 mm x 10 mm
Round conductor	Ø26 mm
Weight	0.200 - 1.100 kg (0.44 - 2.43 lbs)
DIN rail mounting	Item number 2961900710.03
Sealed shutter	Type 59040

Secondary current →		5A			1A	
Primary current A ↓	Burden VA ↓	Accuracy class			Accuracy class	
		0.2S	0.5	1	0.5	1
50	1			●		
60	1			●		
75	1.5			●		
80	2.5			●		
100	1.5			●		●
100	2.5		●	●		●
150	1.5			●		
150	2.5		●	●		●
200	1.5			●		
200	2.5			●		
200	5			●		●
250	1.5		●	●		
250	2.5	●		●		
250	5			●		●
300	1.5			●	●	
300	2.5	●				
300	5			●		●
300	10					●
400	1.5			●		

Secondary current →		5A			1A	
Primary current A ↓	Burden VA ↓	Accuracy class			Accuracy class	
		0.2S	0.5	1	0.5	1
400	2.5		●	●		
400	5			●		●
400	10			●		●
500	2.5			●		
500	5		●	●		
500	10			●		●
600	2.5		●	●		
600	5			●		●
600	10		●	●		●
750	2.5			●		
750	5			●		●
750	10			●		●

3.3 ASK 31.4 measuring current transformers

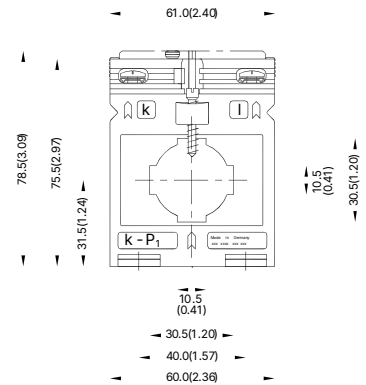
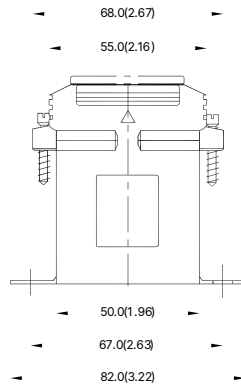


Specifications	
Primary conductor	30 mm x 10 mm 2 x 20 mm x 10 mm
Round conductor	Ø28 mm
Weight	0.220 - 0.480 kg (0.49 - 1.06 lbs)
DIN rail mounting	Item number 2961900710.04
Sealed shutter	Item number 2961900710.07

Secondary current →		5A			1A	
Primary current A ↓	Burden VA ↓	Accuracy class			Accuracy class	
		0.2S	0.5	1	0.2S	1
75	1.5			●		●
100	1.5					●
100	2.5			●		

Secondary current →		5A			1A	
Primary current A ↓	Burden VA ↓	Accuracy class			Accuracy class	
		0.2S	0.5	1	0.2S	1
100	3.75			●		
150	1.5		●			
150	2.5			●		
150	5			●		
200	2.5			●		
200	5	●				
200	7.5			●		
250	2.5			●		
250	5				●	●
250	10			●		
300	2.5		●	●		
300	5		●	●		
300	10		●	●		●
400	2.5			●		
500	2.5			●		
500	5	●				
500	10					●
600	5		●	●		
600	10			●		
750	15			●		

3.4 ASK 31.5 measuring current transformers



Specifications	
Primary conductor	30 mm x 10 mm 2 x 20 mm x 10 mm
Round conductor	Ø28 mm
Weight	0.240 - 0.520 kg (0.53 - 1.15 lbs)

Specifications

DIN rail mounting

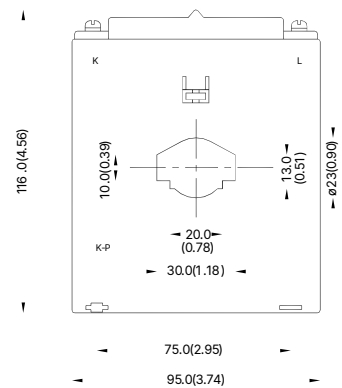
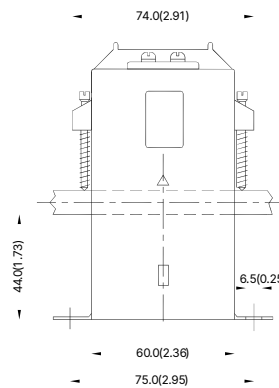
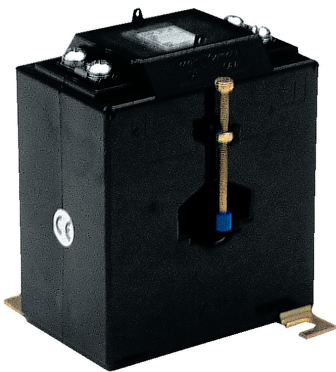
Item number 2961900710.05

Sealed shutter

Item number 2961900710.07

Secondary current →		5A		1A
Primary current A ↓	Burden VA ↓	Accuracy class		Accuracy class
		0.5	1	1
40	1		●	
80	2.5		●	
100	5		●	
150	2.5	●		
150	5	●		
150	7.5		●	
200	5	●	●	
200	10		●	
400	10		●	
500	10		●	
500	15		●	
600	5		●	●
600	10		●	
750	10			●

3.5 ASK 31.6 measuring current transformers



Specifications

Primary conductor

30 mm x 10 mm
20 mm x 13 mm

Round conductor

Ø23 mm

Weight

0.310 - 1.900 kg (0.68 - 4.19 lbs)

DIN rail mounting

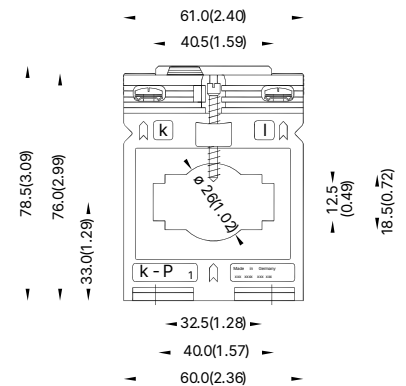
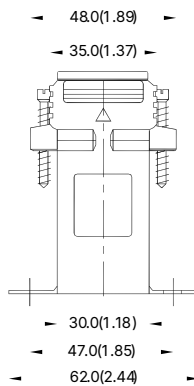
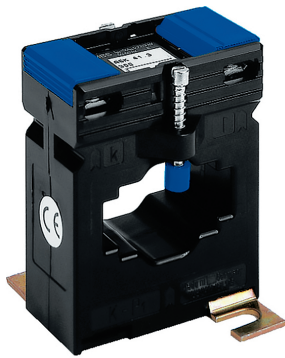
Not available

Sealed shutter

Type 59044

Secondary current →		5A		1A	
Primary current A ↓	Burden VA ↓	Accuracy class		Accuracy class	
		1	3	0.5	1
40	2.5		●		●
60	2.5			●	
75	5	●			
200	15	●			
200	30				●
250	5	●			
400	15	●			
600	10	●			

3.6 ASK 41.3 measuring current transformers

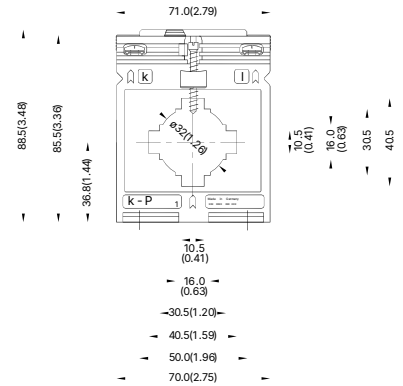
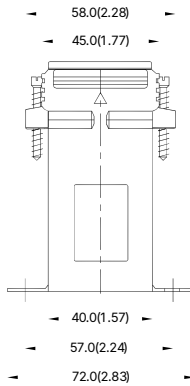


Specifications	
Primary conductor	40 mm x 12 mm 32 mm x 18 mm
Round conductor	Ø26 mm
Weight	0.180 - 0.300 kg (0.40 - 0.66 lbs)
DIN rail mounting	Item number 2961900710.03
Sealed shutter	Type 59040

Secondary current →		5A
Primary current A ↓	Burden VA ↓	Accuracy class
		1
150	2.5	●
200	2.5	●
250	2.5	●
300	5	●
400	2.5	●
400	5	●
500	5	●

Secondary current →		5A
Primary current A ↓	Burden VA ↓	Accuracy class
		1
600	5	●
750	10	●

3.7 ASK 41.4 measuring current transformers

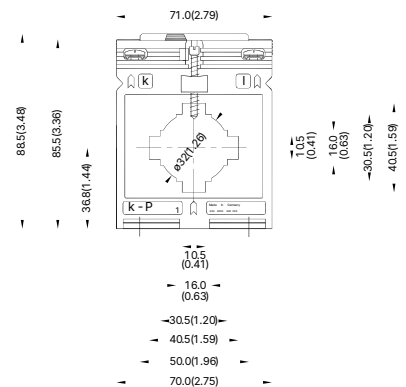
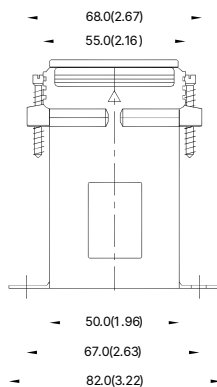


Specifications	
Primary conductor	40 mm x 10 mm 2 x 30 mm x 5 mm
Round conductor	Ø32 mm
Weight	0.240 - 0.800 kg (0.53 - 1.76 lbs)
DIN rail mounting	Item number 2961900710.06
Sealed shutter	Item number 2961900710.07

Secondary current →		5A			1A
Primary current A ↓	Burden VA ↓	Accuracy class			Accuracy class
		0.2S	0.5	1	1
50	1.5			●	●
80	1.5			●	●
100	1.5			●	
100	3.75			●	
150	1.5	●		●	
150	5			●	●
200	1.5	●			
200	2.5			●	●
200	5		●	●	
200	10			●	
250	2.5	●		●	
250	5			●	
250	10			●	

Secondary current →		5A			1A
Primary current A ↓	Burden VA ↓	Accuracy class			Accuracy class
		0.2S	0.5	1	1
300	2.5	●			
300	5	●	●	●	●
300	15			●	
400	2.5			●	
400	5	●	●	●	●
400	10		●	●	
400	15			●	
500	5	●			●
500	10			●	
500	15			●	●
600	2.5			●	
600	5	●		●	●
600	15			●	●
750	5			●	
750	10				●
750	15			●	
800	5		●	●	●
800	10		●	●	
800	15			●	●
1000	5			●	
1000	10		●	●	●
1000	15			●	

3.8 ASK 41.5 measuring current transformers



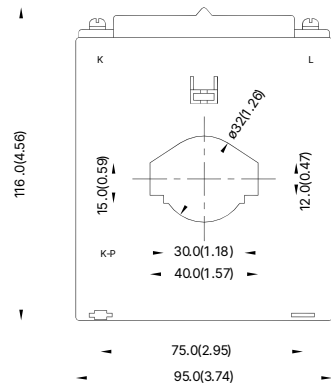
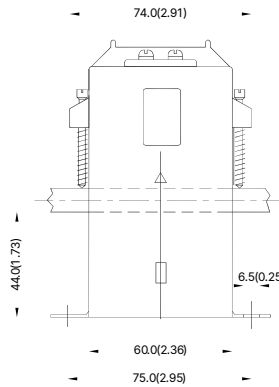
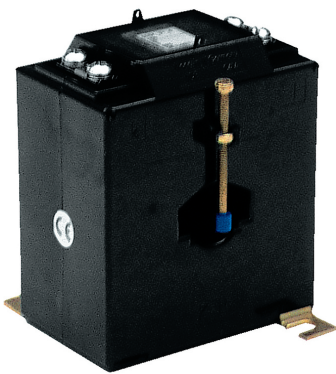
Specifications

Primary conductor	40 mm x 10 mm 2 x 30 mm x 5 mm
Round conductor	Ø32 mm

Specifications	
Weight	0.250 - 0.510 kg (0.55 - 1.12 lbs)
DIN rail mounting	Item number 2961900710.06
Sealed shutter	Item number 2961900710.07

Secondary current →		5A	
Primary current A ↓	Burden VA ↓	Accuracy class	
		0.5	1
800	5		●
800	10	●	●
1000	5		●
1000	15		●

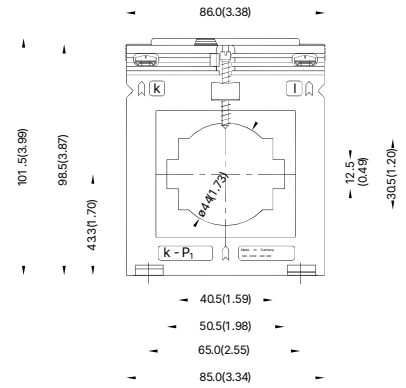
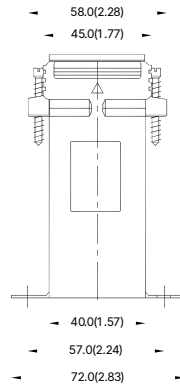
3.9 ASK 41.6 measuring current transformers



Specifications	
Primary conductor	40 mm x 12 mm 30 mm x 15 mm
Round conductor	Ø32 mm
Weight	0.320 - 2.000 kg (0.71 - 4.41 lbs)
DIN rail mounting	Not available
Sealed shutter	Type 59044

Secondary current →		5A
Primary current A ↓	Burden VA ↓	Accuracy class
		1
400	15	●

3.10 ASK 51.4 measuring current transformers



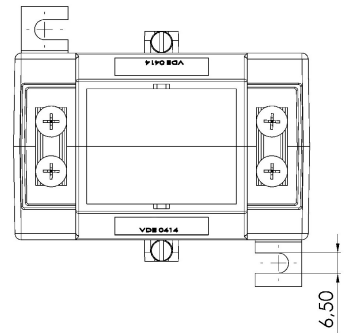
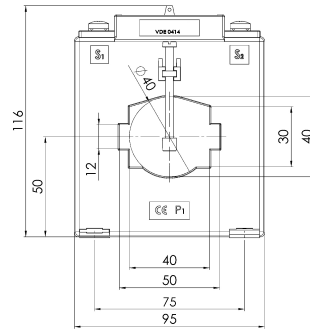
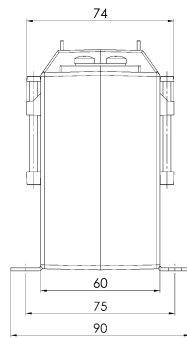
Specifications

Primary conductor	50 mm x 10 mm 2 x 40 mm x 10 mm
Round conductor	Ø44 mm
Weight	0.260 - 0.720 kg (0.57 - 1.59 lbs)
DIN rail mounting	Not available
Sealed shutter	Item number 2961900710.08

Secondary current →		5A		1A	
Primary current A ↓	Burden VA ↓	Accuracy class		Accuracy class	
		0.5	1	0.5	1
200	5		●		●
250	10		●		
300	10		●		
400	5		●		
400	10	●	●		
500	5				●
500	10		●		
500	15		●		
600	10		●		●
600	15		●		
750	10				●
750	15		●		
800	5		●		
800	10		●		●
800	15	●	●		
1000	5		●	●	●
1000	10	●	●		●
1000	15	●	●		
1200	10		●		

Secondary current →		5A		1A	
Primary current A ↓	Burden VA ↓	Accuracy class		Accuracy class	
		0.5	1	0.5	1
1200	15		●		●
1250	10	●	●		
1250	15	●	●		

3.11 ASK 51.6 measuring current transformers



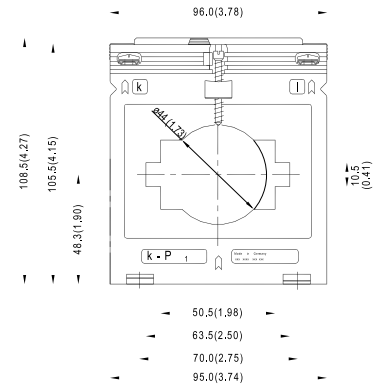
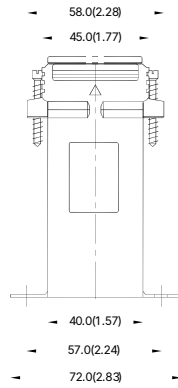
Specifications

Primary conductor	50 mm x 12 mm 40 mm x 30 mm
Round conductor	Ø40 mm
Weight	0.750 - 1.000 kg (1.65 - 2.20 lbs)
DIN rail mounting	Not available
Sealed shutter	Type 59044

Secondary current →		5A		1A	
Primary current A ↓	Burden VA ↓	Accuracy class		Accuracy class	
		0.5	1	0.5	1
100	2.5		●		●
100	5		●		●
150	2.5	●	●	●	●
150	5	●	●	●	●
150	10		●		●
200	2.5	●	●	●	●
200	5	●	●	●	●
200	10	●	●	●	●
250	2.5	●	●	●	●
250	5	●	●	●	●
250	10	●	●	●	●
250	15	●	●	●	●
300	2.5	●			

Secondary current →		5A		1A	
Primary current A ↓	Burden VA ↓	Accuracy class		Accuracy class	
		0.5	1	0.5	1
300	5	●	●	●	●
300	10	●	●	●	●
300	15	●	●	●	●
300	30		●		●
400	5	●	●	●	●
400	10	●	●	●	●
400	15	●	●	●	●
400	30		●		●
500	5	●	●	●	●
500	10	●	●	●	
500	15	●	●	●	●
500	30		●		●
600	5	●	●	●	●
600	10	●	●	●	●
600	15	●	●	●	●
600	30		●		●
750	5	●	●	●	●
750	10	●	●	●	●
750	15	●	●	●	●
750	30		●		●
800	10	●	●	●	●
800	15	●	●	●	●
800	30		●		●
800	45		●		●
1000	10	●	●	●	●
1000	15	●	●	●	●
1000	30	●	●	●	●
1000	45		●		●
1200	10	●	●	●	●
1200	15	●	●	●	●
1200	30	●	●	●	●
1200	45		●		●
1250	10	●	●	●	●
1250	15	●	●	●	●
1250	30	●	●	●	●
1250	45		●		●

3.12 ASK 61.4 measuring current transformers



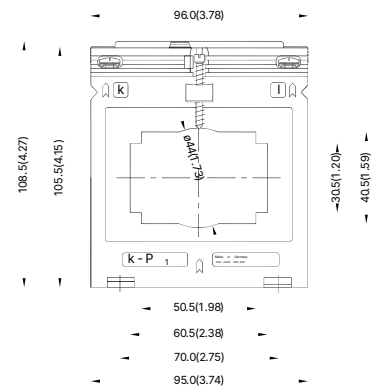
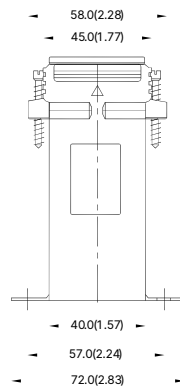
Specifications

Primary conductor	63 mm x 10 mm 2 x 50 mm x 10 mm
Round conductor	Ø44 mm
Weight	0.300 - 0.630 kg (0.66 - 1.39 lbs)
DIN rail mounting	Not available
Sealed shutter	Item number 2961900710.08

Secondary current →		5A			1A
Primary current A ↓	Burden VA ↓	Accuracy class			Accuracy class
		0.2S	0.5	1	1
250	1.5		●		
300	5			●	
400	2.5	●			
400	5				●
400	10			●	
500	5	●			
500	10				●
500	15			●	
600	5	●			
600	10			●	●
600	15			●	
750	5	●			
750	10			●	●
750	15			●	
800	5			●	
800	10		●		●
800	15		●	●	
1000	5	●		●	
1000	10			●	

Secondary current →		5A			1A
Primary current A ↓	Burden VA ↓	Accuracy class			Accuracy class
		0.2S	0.5	1	1
1000	15			●	●
1200	5	●			
1200	10				●
1200	15		●		
1200	30			●	
1250	5	●	●		
1250	10				●
1250	15			●	
1250	30			●	
1500	5	●	●	●	
1500	10				●
1500	15		●	●	
1500	30		●	●	●
1600	5			●	
1600	10		●		
1600	15		●	●	
1600	30			●	

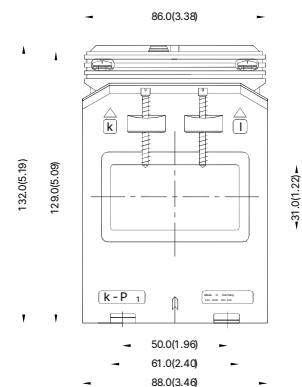
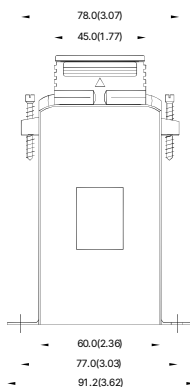
3.13 ASK 63.4 measuring current transformers



Specifications	
Primary conductor	60 mm x 30 mm 50 mm x 40 mm
Round conductor	Ø44 mm
Weight	0.300 - 0.800 kg (0.66 - 1.76 lbs)
DIN rail mounting	Not available
Sealed shutter	Item number 2961900710.08

Secondary current →		5A		1A
Primary current A ↓	Burden VA ↓	Accuracy class		Accuracy class
		0.5	1	1
300	2.5		●	
400	5		●	
600	15		●	
750	10		●	
800	10		●	
1000	5		●	
1000	10	●	●	
1000	15		●	
1200	10		●	
1200	15		●	
1250	10	●	●	
1500	10	●		●
1500	15		●	

3.14 ASK 63.6 measuring current transformers

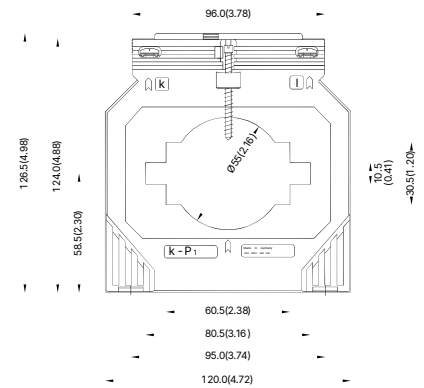
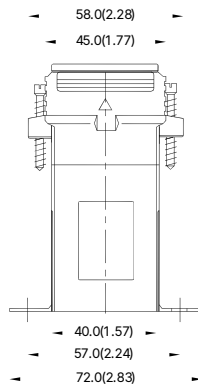
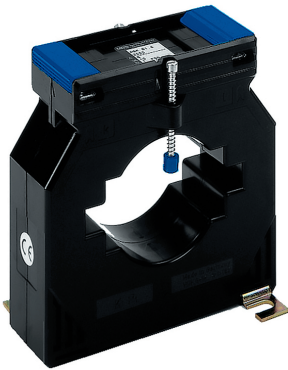


Specifications	
Primary conductor	60 mm x 30 mm
Round conductor	Ø30 mm
Weight	0.200 - 1.300 kg (0.44 - 1.39 lbs)
DIN rail mounting	Not available
Sealed shutter	Item number 2961900710.08

Secondary current →		5A	1A
Primary current A ↓	Burden VA ↓	Accuracy class	
		1	1
300	10		●
1200	15	●	
1250	10	●	

Secondary current →		5A	1A
Primary current A ↓	Burden VA ↓	Accuracy class	
		1	1
1600	10	●	
1600	15	●	

3.15 ASK 81.4 measuring current transformers

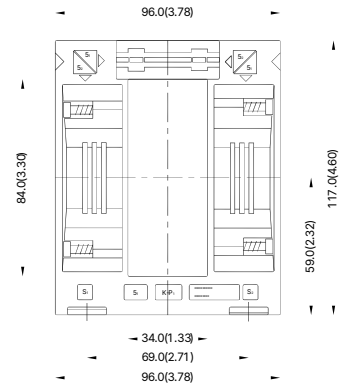
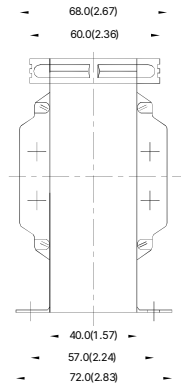


Specifications	
Primary conductor	80 mm x 10 mm 2 x 60 mm x 10 mm
Round conductor	Ø55 mm
Weight	0.400 - 1.000 kg (0.88 - 2.20 lbs)
DIN rail mounting	Not available
Sealed shutter	Item number 2961900710.08

Secondary current →		5A			1A
Primary current A ↓	Burden VA ↓	Accuracy class			Accuracy class
		0.2S	0.5	1	1
500	10			●	
600	2.5			●	
600	10			●	
800	15			●	
1000	10		●	●	
1000	15			●	
1000	30			●	
1200	10			●	
1200	15			●	
1250	5			●	●
1250	10	●	●		●
1500	5	●			
1500	10	●		●	

Secondary current →		5A			1A
Primary current A ↓	Burden VA ↓	Accuracy class			Accuracy class
		0.2S	0.5	1	1
1500	15		●	●	●
1600	5	●		●	
2000	10		●	●	
2000	15		●	●	●
2000	30			●	

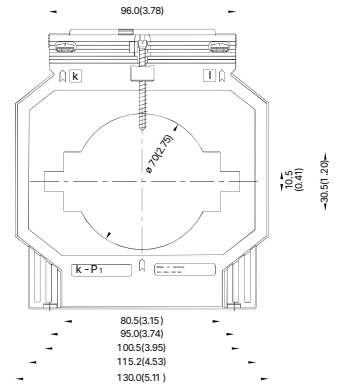
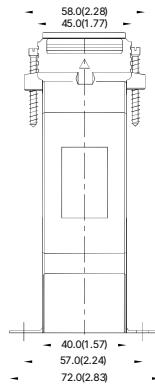
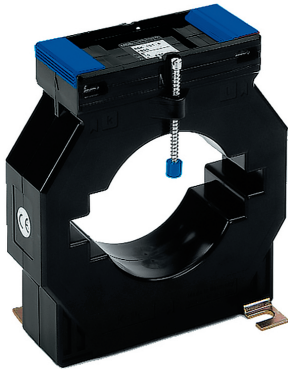
3.16 ASK 83.4 measuring current transformers



Specifications	
Primary conductor	83 mm x 34 mm
Round conductor	Ø34 mm
Weight	0.400 - 0.850 kg (0.88 - 1.87 lbs)
DIN rail mounting	Not available
Sealed shutter	Not available

Secondary current →		5A
Primary current A ↓	Burden VA ↓	Accuracy class
		1
1000	15	●
1200	15	●
1500	10	●
1500	15	●
2000	15	●

3.17 ASK 101.4 measuring current transformers

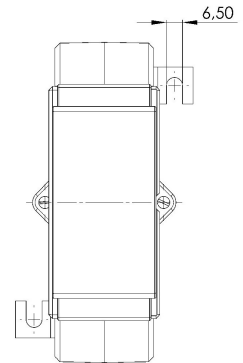
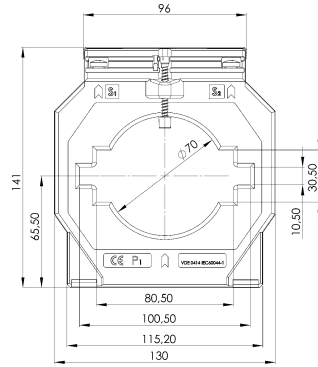
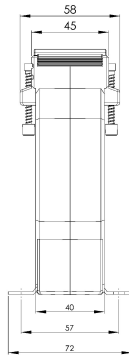


Specifications

Primary conductor	100 mm x 10 mm 2 x 80 mm x 10 mm
Round conductor	Ø70 mm
Weight	0.200 - 0.740 kg (0.44 - 1.63 lbs)
DIN rail mounting	Not available
Sealed shutter	Item number 2961900710.08

Secondary current →		5A		1A
Primary current A ↓	Burden VA ↓	Accuracy class		Accuracy class
		0.5	1	1
600	5		●	
1000	10	●	●	
1250	10		●	
1500	15	●		
1500	30		●	
1600	10		●	
1600	15		●	
1800	10		●	
1800	15			●
2000	10		●	
2000	15	●		
2000	30		●	

3.18 ASK 101.4 2U measuring current transformers

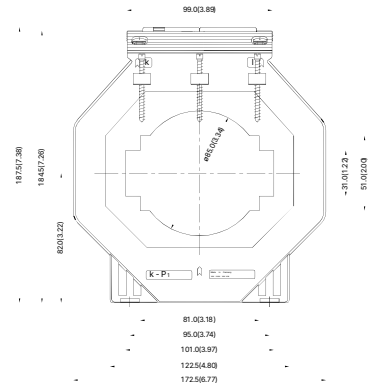
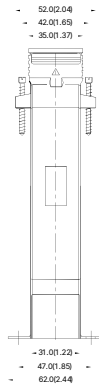


Specifications

Primary conductor	100 mm x 10 mm 2 x 80 mm x 10 mm
Round conductor	Ø70 mm
Weight	0.550 - 0.700 kg (1.21 - 1.54 lbs)
DIN rail mounting	Not available
Sealed shutter	Item number 2961900710.08

Secondary current →		5A	1A
Primary current A ↓	Burden VA ↓	Accuracy class	Accuracy class
		1	1
600 - 1200	5 - 10	●	●
600 - 1200	7.5 - 15	●	●
750 - 1500	5 - 10	●	●
750 - 1500	7.5 - 15	●	●
800 - 1600	5 - 10	●	●
800 - 1600	7.5 - 15	●	●
800 - 1600	15 - 30	●	●
1000 - 2000	5 - 10	●	●
1000 - 2000	7.5 - 15	●	●
1000 - 2000	15 - 30	●	●

3.19 ASK 103.3 measuring current transformers

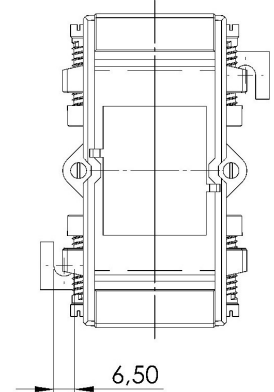
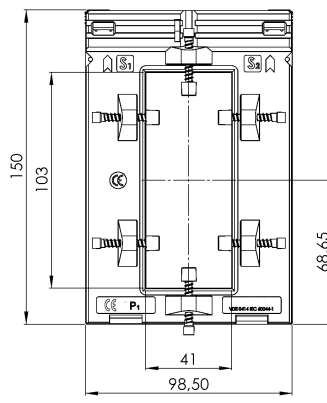
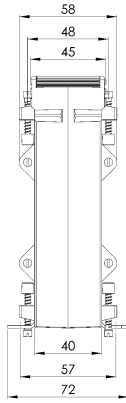


Specifications

Primary conductor	2 x 100 mm x 10 mm 3 x 80 mm x 10 mm
Round conductor	Ø85 mm
Weight	0.500 - 0.800 kg (1.10 - 1.76 lbs)
DIN rail mounting	Not available
Sealed shutter	Type 59040 (x 2)

Secondary current →		5A		1A
Primary current A ↓	Burden VA ↓	Accuracy class		Accuracy class
		0.5	1	1
800	15		●	
1000	15		●	
1200	30		●	
1500	45		●	
1600	15	●		
2000	15		●	
2000	30			●
2500	10		●	●
2500	15	●	●	
2500	30	●	●	
3000	15		●	●
3000	30		●	

3.20 ASK 103.41 measuring current transformers



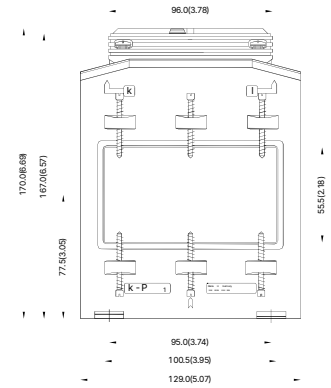
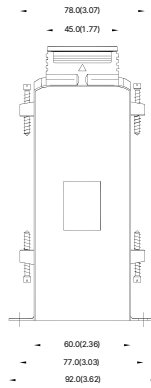
Specifications

Primary conductor	103 mm x 41 mm
Round conductor	Ø40 mm
Weight	0.620 - 0.700 kg (1.37 - 1.54 lbs)
DIN rail mounting	Not available
Sealed shutter	Not available

Secondary current →		5A		1A	
Primary current A ↓	Burden VA ↓	Accuracy class		Accuracy class	
		0.5	1	0.5	1
400	2.5		●	●	●
400	5		●		●
500	2.5	●	●	●	●
500	5		●		●
600	2.5	●	●	●	●
600	5		●		●
750	2.5	●	●	●	●
750	5		●		●
800	5	●	●	●	●
800	10		●		●
1000	10	●	●	●	●
1000	15		●		●
1200	10	●	●	●	●
1200	15		●		●
1250	10	●	●	●	●
1250	15		●		●
1500	15	●	●	●	●
1500	30		●		●

Secondary current →		5A		1A		
Primary current A ↓	Burden VA ↓	Accuracy class			Accuracy class	
		0.5	1	0.5	1	
2000	15	●	●	●	●	
2000	30		●		●	

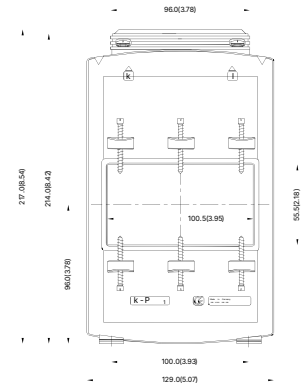
3.21 ASK 105.6 measuring current transformers



Specifications	
Primary conductor	100 mm x 55 mm
Round conductor	Ø55 mm
Weight	0.800 - 1.580 kg (1.76 - 3.48 lbs)
DIN rail mounting	Not available
Sealed shutter	Item number 2961900710.08

Secondary current →		5A			1A	
Primary current A ↓	Burden VA ↓	Accuracy class			Accuracy class	
		0.2S	0.5	1	0.5	1
1000	5	●				●
1200	5	●				
1500	5	●		●		
2000	5	●	●			
2000	10	●				●
2000	15					●
2500	10	●	●	●		
2500	15			●		●
3000	5	●				
3000	10	●		●		
3000	15		●		●	
3000	30		●			
3000	45			●		

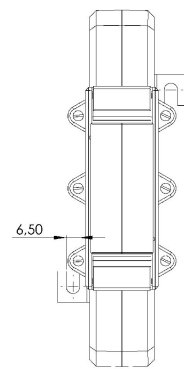
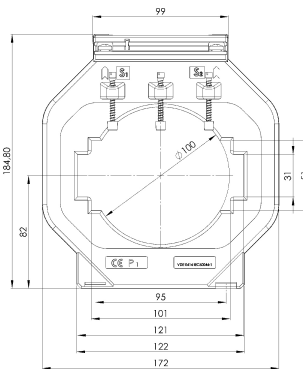
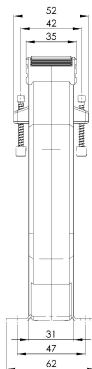
3.22 ASK 105.6N measuring current transformers



Specifications	
Primary conductor	100 mm x 55 mm
Round conductor	Ø55 mm
Weight	0.800 - 2.220 kg (1.76 - 4.89 lbs)
DIN rail mounting	Not available
Sealed shutter	Item number 2961900710.08

Secondary current →		5A
Primary current A ↓	Burden VA ↓	Accuracy class
2500	45	1

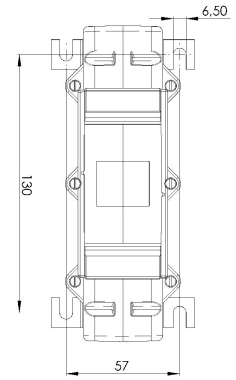
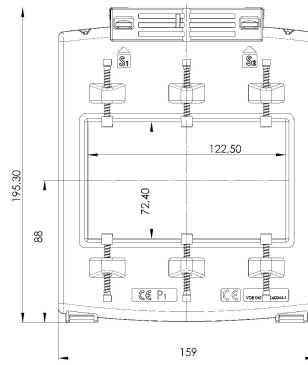
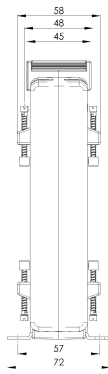
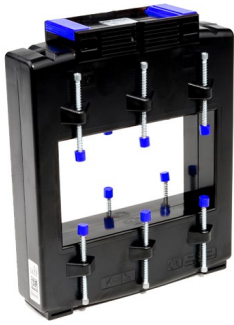
3.23 ASK 123.3 measuring current transformers



Specifications	
Primary conductor	123 mm x 30 mm 3 x 100 mm x 10 mm
Round conductor	Ø100 mm
Weight	0.600 - 1.020 kg (1.32 - 2.25 lbs)
DIN rail mounting	Not available
Sealed shutter	Type 59040 (x 2)

Secondary current →		5A			1A	
Primary current A ↓	Burden VA ↓	Accuracy class			Accuracy class	
		0.2S	0.5	1	0.5	1
750	2.5	●	●			
750	5	●	●			
750	10	●	●			
1000	2.5		●			
1000	5	●	●	●	●	●
1000	10		●	●	●	●
1200	5	●	●	●	●	●
1200	10		●	●	●	●
1200	15		●	●	●	●
1250	5	●	●	●	●	●
1250	10	●	●	●	●	●
1250	15		●	●	●	●
1500	5	●	●	●	●	●
1500	10	●	●	●	●	●
1500	15		●	●	●	●
1500	30			●		●
1600	5	●		●		
1600	10	●		●		
1600	15	●		●		
1600	30		●	●		
1800	5		●	●	●	●
1800	10		●	●	●	●
1800	15		●	●	●	●
1800	30			●		●
2000	5	●	●		●	
2000	10	●	●	●	●	●
2000	15	●	●	●	●	●
2000	30		●	●	●	●
2500	5	●	●			
2500	10	●	●	●	●	●
2500	15	●	●	●	●	●
2500	30		●	●	●	●
3000	5	●	●			
3000	10	●	●	●	●	●
3000	15	●	●	●	●	●
3000	30		●	●	●	●
3000	45			●		●

3.24 ASK 127.4 measuring current transformers



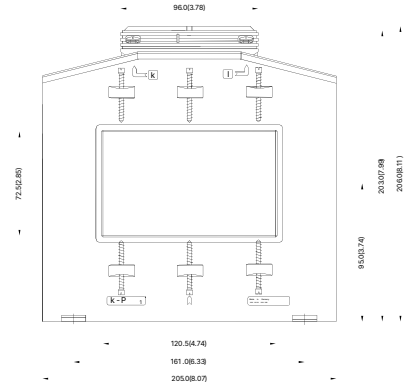
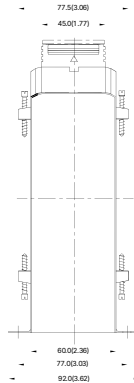
Specifications

Primary conductor	120 mm x 70 mm
Round conductor	Ø70 mm
Weight	1.000 - 1.500 kg (2.20 - 3.31 lbs)
DIN rail mounting	Not available
Sealed shutter	Item number 2961900710.08

Secondary current →		5A		1A	
Primary current A ↓	Burden VA ↓	Accuracy class		Accuracy class	
		0.5	1	0.5	1
1000	5	●	●	●	●
1000	10	●	●	●	●
1200	5	●	●	●	●
1200	10	●	●	●	●
1200	15	●	●	●	●
1250	10	●	●	●	●
1250	15	●	●	●	●
1250	30	●	●	●	●
1500	10	●	●	●	●
1500	15	●	●	●	●
1500	30	●	●	●	●
1600	10	●	●	●	●
1600	15	●	●	●	●
1600	30	●	●	●	●
1800	10	●	●	●	●
1800	15	●	●	●	●
1800	30	●	●	●	●
2000	10	●	●	●	●
2000	15	●	●	●	●

Secondary current →		5A		1A	
Primary current A ↓	Burden VA ↓	Accuracy class		Accuracy class	
		0.5	1	0.5	1
2000	30	●	●	●	●
2500	10	●	●	●	●
2500	15	●	●	●	●
2500	30	●	●	●	●

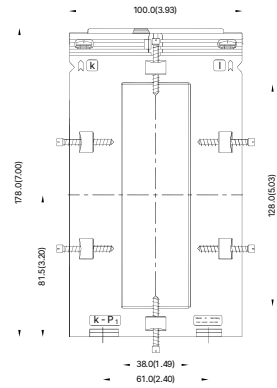
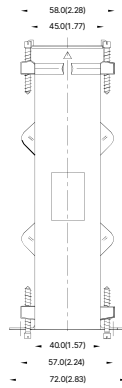
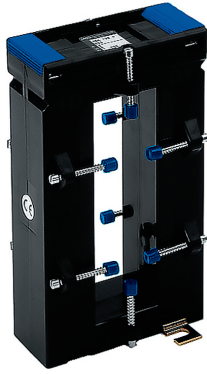
3.25 ASK 127.6 measuring current transformers



Specifications	
Primary conductor	120 mm x 70 mm
Round conductor	Ø70 mm
Weight	0.750 - 5.040 kg (1.65 - 11.11 lbs)
DIN rail mounting	Not available
Sealed shutter	Item number 2961900710.08

Secondary current →		5A	
Primary current A ↓	Burden VA ↓	Accuracy class	
		0.5	1
1250	5	●	
4000	15	●	●
4000	30	●	
4000	45		●
5000	15		●
5000	30	●	
5000	45		●

3.26 ASK 128.4 measuring current transformers

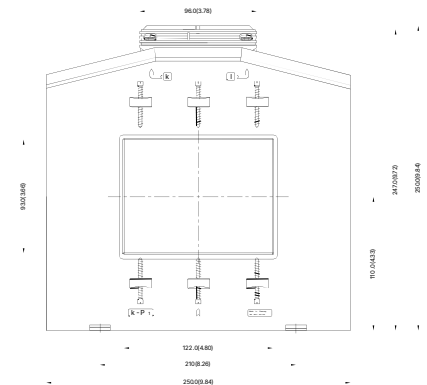
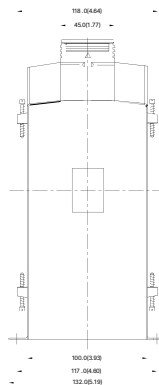


Specifications

Primary conductor	128 mm x 38 mm
Round conductor	Ø38 mm
Weight	0.500 - 1.100 kg (1.10 - 2.43 lbs)
DIN rail mounting	Not available
Sealed shutter	Item number 2961900710.08

Secondary current →		5A		1A
Primary current A ↓	Burden VA ↓	Accuracy class		Accuracy class
		0.5	1	1
2000	15			●
2500	15	●		
2500	30		●	
2500	30 TRV		●	

3.27 ASK 129.10 measuring current transformers



Specifications

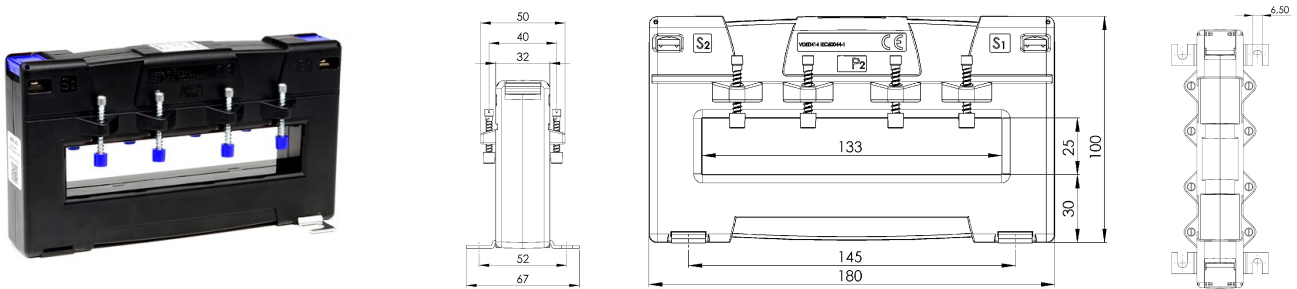
Primary conductor	120 mm x 90 mm
Round conductor	Ø90 mm
Weight	0.800 - 5.040 kg (1.76 - 11.11 lbs)

Specifications

DIN rail mounting	Not available
Sealed shutter	Item number 2961900710.08

Secondary current →		5A	1A
Primary current A ↓	Burden VA ↓	Accuracy class	
		1	0.5
6000	15	●	●
7500	15	●	
7500	45	●	

3.28 ASK 130.3 measuring current transformers



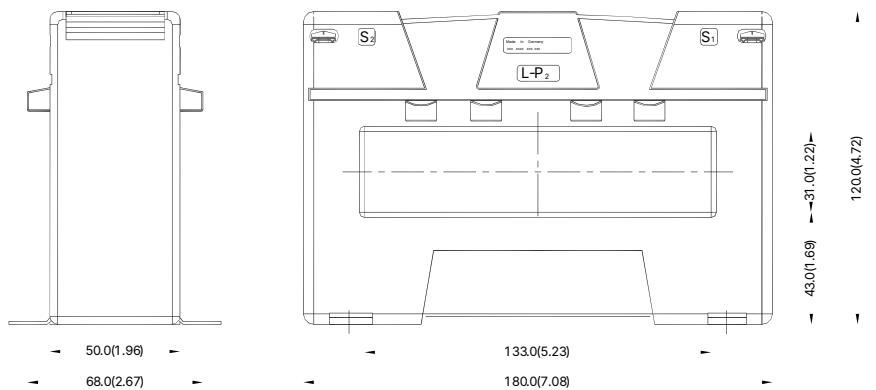
Specifications

Primary conductor	130 mm x 25 mm
Round conductor	Ø25 mm
Weight	0.720 - 1.200 kg (1.59 - 2.65 lbs)
DIN rail mounting	Not available
Sealed shutter	Not available

Secondary current →		5A			1A	
Primary current A ↓	Burden VA ↓	Accuracy class			Accuracy class	
		0.2S	0.5	1	0.5	1
300	2.5		●	●	●	●
300	5		●	●	●	●
400	2.5		●	●	●	●
400	5		●	●	●	●
400	10			●		●
500	2.5		●	●	●	●
500	5		●	●	●	●
500	10		●	●	●	●
600	2.5		●	●	●	●
600	5		●	●	●	●

Secondary current →		5A			1A	
Primary current A ↓	Burden VA ↓	Accuracy class			Accuracy class	
		0.2S	0.5	1	0.5	1
600	10		●	●	●	●
600	15			●		●
750	2.5	●	●	●	●	●
750	5		●	●	●	●
750	10		●	●	●	●
750	15		●	●	●	●
1000	5	●	●	●	●	●
1000	10	●	●	●	●	●
1000	15		●	●	●	●
1000	30			●		●
1200	5	●	●	●	●	●
1200	10	●	●	●	●	●
1200	15		●	●	●	●
1200	30			●		●
1250	5	●	●	●	●	●
1250	10	●	●	●	●	●
1250	15	●	●	●	●	●
1250	30			●		●
1500	5	●	●	●	●	●
1500	10	●	●	●	●	●
1500	15	●	●	●	●	●
1500	30		●	●	●	●
1600	5	●	●	●	●	●
1600	10	●	●	●	●	●
1600	15	●	●	●	●	●
1600	30		●	●	●	●

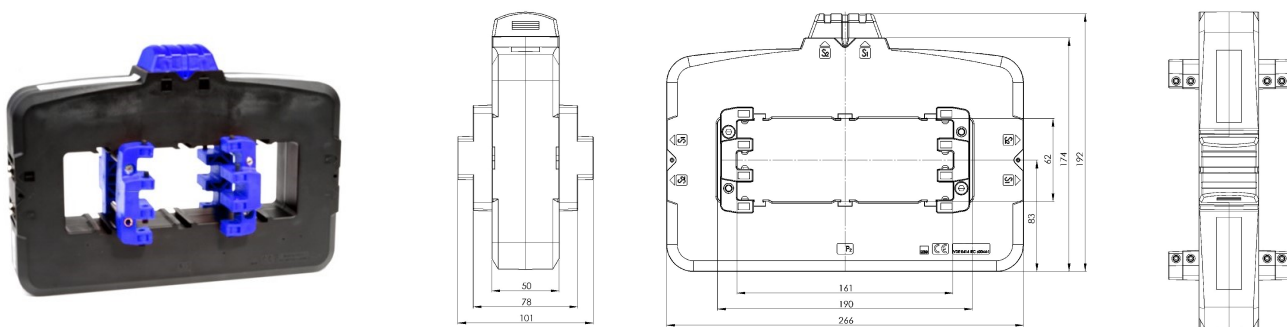
3.29 ASK 130.5 measuring current transformers



Specifications	
Primary conductor	130 mm x 30 mm
Round conductor	Ø30 mm
Weight	0.740 - 1.280 kg (1.63 - 2.82 lbs)
DIN rail mounting	Not available
Sealed shutter	Not available

Secondary current →		5A		1A
Primary current A ↓	Burden VA ↓	Accuracy class		Accuracy class
		0.5	1	1
2000	30			●
2500	30	●		
3200	10		●	
3200	30		●	

3.30 ASK 165.5 measuring current transformers

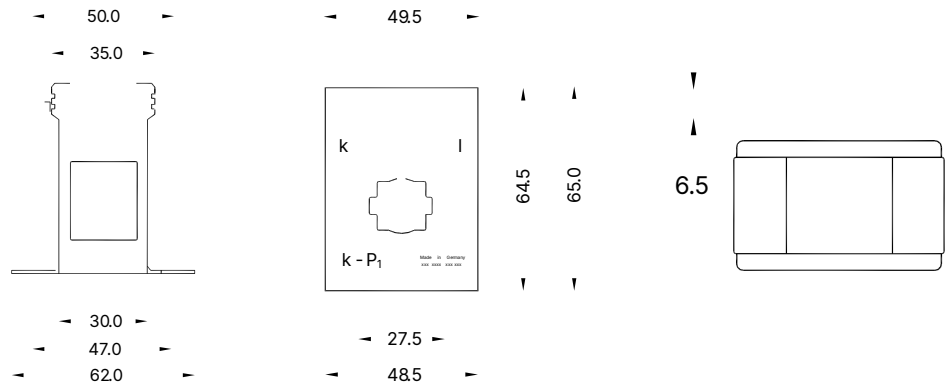


Specifications	
Primary conductor	106 mm x 30 mm 3 x 160 mm x 10 mm
Weight	0.920 - 1.200 kg (2.03 - 2.65 lbs)
DIN rail mounting	Not available
Sealed shutter	Not available

Secondary current →		5A				1A			
Primary current A ↓	Burden VA ↓	Accuracy class				Accuracy class			
		0.2S	0.2	0.5	1	0.2S	0.2	0.5	1
1000	5	●		●	●	●		●	●
1000	10			●	●			●	●
1000	15				●				●
1200	5	●		●	●	●		●	●
1200	10	●		●	●	●		●	●
1200	15			●	●			●	●

Secondary current →		5A				1A			
Primary current A ↓	Burden VA ↓	Accuracy class				Accuracy class			
		0.2S	0.2	0.5	1	0.2S	0.2	0.5	1
1250	5	●		●	●	●		●	●
1250	10	●		●	●	●		●	●
1250	15			●	●			●	●
1500	10	●		●	●	●		●	●
1500	15			●	●			●	●
1500	30			●	●			●	●
1600	10	●		●	●	●		●	●
1600	15			●	●			●	●
1600	30			●	●			●	●
2000	10	●		●	●	●		●	●
2000	15	●	●	●	●	●	●	●	●
2000	30			●	●			●	●
2000	50				●				●
2500	15	●		●	●	●		●	●
2500	30			●	●			●	●
2500	60				●				●
3000	15	●		●	●	●		●	●
3000	30	●		●	●	●		●	●
3000	60				●				●
4000	30	●		●	●	●	●	●	●
4000	40				●				●
4000	60				●				●

3.31 ASK 205.3 measuring current transformers



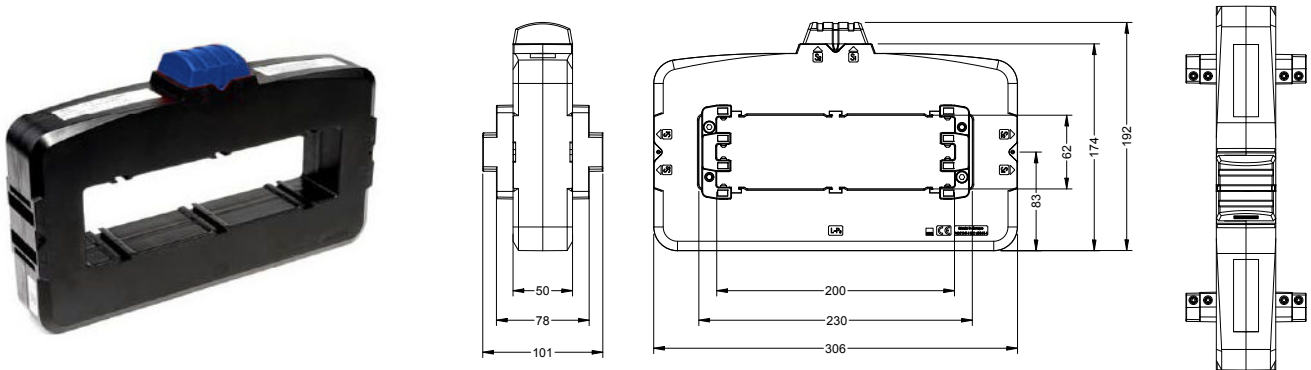
Specifications	
Primary conductor	20 mm x 5 mm
Round conductor	Ø17.5 mm
Weight	0.180 - 0.370 kg (0.40 - 0.82 lbs)

Specifications

DIN rail mounting	Item number 2961900710.02
Sealed shutter	Not available

Secondary current →		5A
Primary current A ↓	Burden VA ↓	Accuracy class
		1
200	1.5	●
200	2.5	●
250	5	●
400	5	●

3.32 ASK 205.5 measuring current transformers



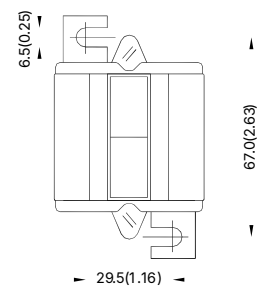
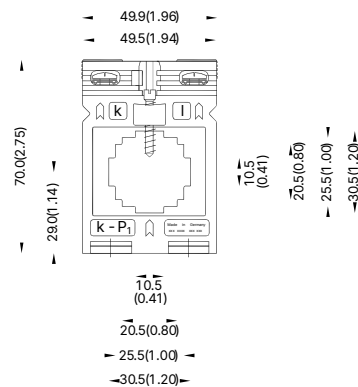
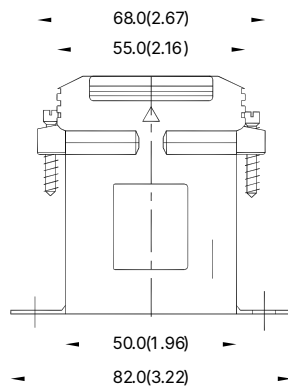
Specifications

Primary conductor	230 mm x 60 mm 3 x 200 mm x 10 mm
Weight	2.100 - 3.600 kg (4.63 - 7.94 lbs)
DIN rail mounting	Not available
Sealed shutter	Not available

Secondary current →		5A			1A		
Primary current A ↓	Burden VA ↓	Accuracy class			Accuracy class		
		0.2S	0.5	1	0.2S	0.5	1
1200	5	●		●	●	●	●
1200	10		●	●		●	●
1200	15		●	●		●	●
1250	5	●	●	●	●	●	●
1250	10	●	●	●	●	●	●
1250	15		●	●		●	●
1500	5	●	●	●	●	●	●
1500	10	●	●	●	●	●	●

Secondary current →		5A			1A		
Primary current A ↓	Burden VA ↓	Accuracy class			Accuracy class		
		0.2S	0.5	1	0.2S	0.5	1
1500	15	●	●	●	●	●	●
1500	30			●			●
1600	5	●	●	●			
1600	10	●	●	●	●	●	●
1600	15	●	●	●	●	●	●
1600	30			●			●
2000	10	●	●	●	●	●	●
2000	15	●	●	●	●	●	●
2000	30		●	●		●	●
2500	10	●	●	●	●	●	●
2500	15	●	●	●	●	●	●
2500	30		●	●		●	●
3000	10	●	●	●	●	●	●
3000	15	●	●	●	●	●	●
3000	30	●	●	●	●	●	●
3000	60			●			●
4000	15	●	●	●	●	●	●
4000	30	●	●	●	●	●	●
4000	60			●			●
5000	15	●		●	●	●	●
5000	30		●	●	●	●	●
5000	60			●			●

3.33 ASK 231.5 measuring current transformers



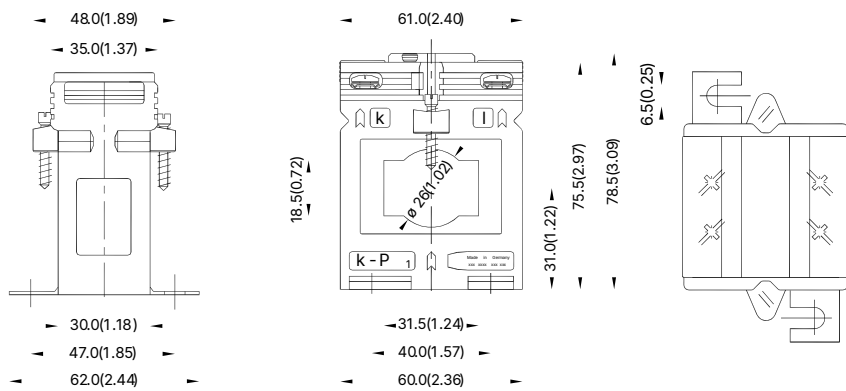
Specifications	
Primary conductor	30 mm x 10 mm
Round conductor	Ø28 mm
Weight	0.190 - 1.000 kg (0.42 - 2.20 lbs)

Specifications

DIN rail mounting	Not available
Sealed shutter	Included

Secondary current →		5A	
Primary current A ↓	Burden VA ↓	Accuracy class	
		1	
250	2.5	●	
300	5	●	
400	5	●	
500	5	●	

3.34 ASK 318.3 measuring current transformers

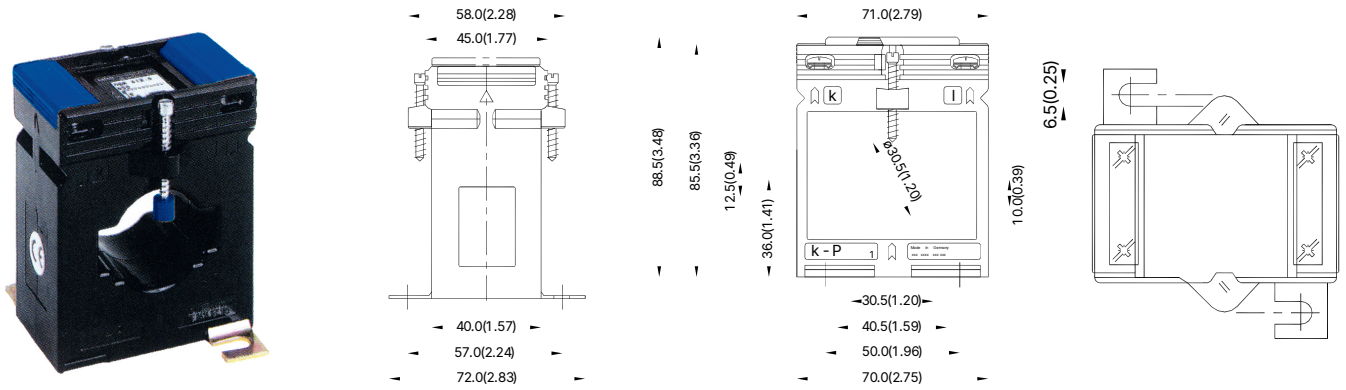


Specifications

Primary conductor	31 mm x 18 mm
Round conductor	Ø26 mm
Weight	0.220 - 0.350 kg (0.49 - 0.77 lbs)
DIN rail mounting	Not available
Sealed shutter	Type 59040

Secondary current →		5A	
Primary current A ↓	Burden VA ↓	Accuracy class	
		0.5	1
300	5	●	●
500	10		●
600	10		●

3.35 ASK 412.4 measuring current transformers

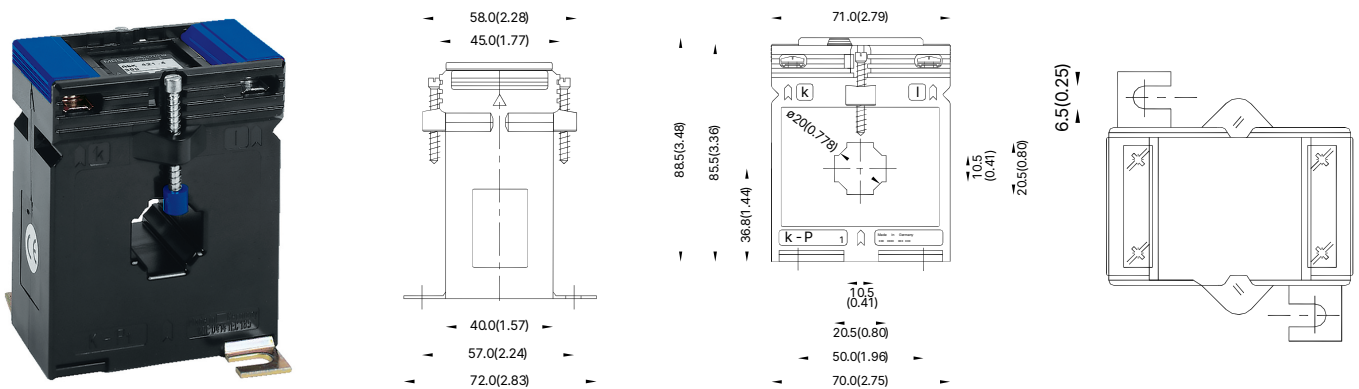


Specifications

Primary conductor	40 mm x 12 mm 30 mm x 15 mm
Round conductor	Ø30.5 mm
Weight	0.250 - 0.510 kg (0.55 - 1.12 lbs)
DIN rail mounting	Item number 2961900710.06
Sealed shutter	Item number 2961900710.07

Secondary current →		5A		1A
Primary current A ↓	Burden VA ↓	Accuracy class		Accuracy class
		0.5	1	0.5
50	1.5		●	
300	2.5		●	
600	2.5		●	
600	10	●		●
800	15		●	

3.36 ASK 421.4 measuring current transformers



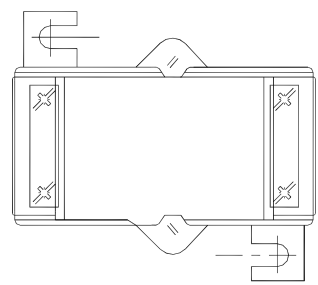
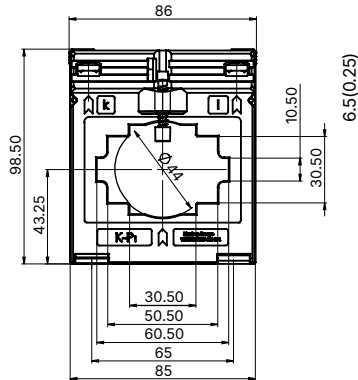
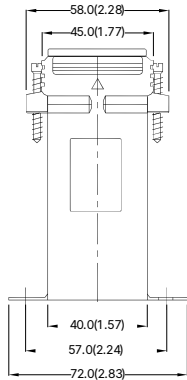
Specifications

Primary conductor	20 mm x 10 mm
Round conductor	Ø20 mm

Specifications	
Weight	0.290 - 1.000 kg (0.64 - 2.20 lbs)
DIN rail mounting	Not available
Sealed shutter	Item number 2961900710.07

Secondary current →		5A	
Primary current A ↓	Burden VA ↓	Accuracy class	
125	5	1	
		●	

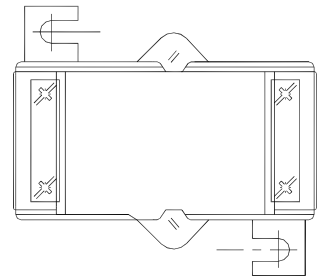
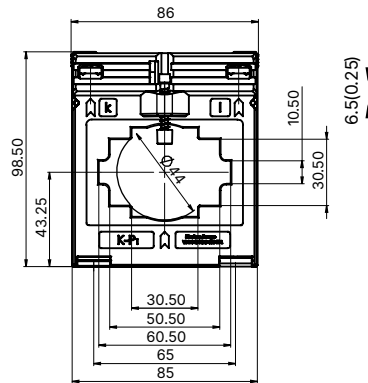
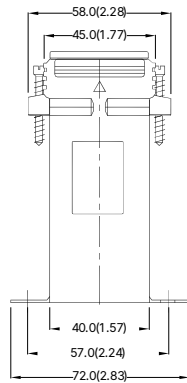
3.37 ASK 541.4 measuring current transformers



Specifications	
Primary conductor	30 mm x 10 mm 2 x 30 mm x 5 mm
Round conductor	Ø32 mm
Weight	0.270 - 1.000 kg (0.60 - 2.20 lbs)
DIN rail mounting	Not available
Sealed shutter	Item number 2961900710.08

Secondary current →		5A	
Primary current A ↓	Burden VA ↓	Accuracy class	
		0.5	1
80	2.5	●	
100	2.5	●	
100	5		●
125	2.5	●	
125	5		●
150	2.5		●
200	2.5	●	
200	5	●	●
500	30		●
1000	30		●

3.38 ASK 561.4 measuring current transformers

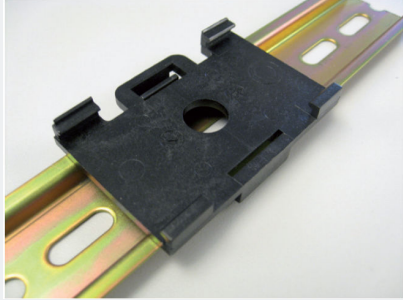



Specifications

Primary conductor	60 mm x 10 mm 2 x 50 mm x 10 mm
Round conductor	Ø44 mm
Weight	0.300 - 0.660 kg (0.66 - 1.46 lbs)
DIN rail mounting	Not available
Sealed shutter	Item number 2961900710.08

Secondary current →		5A		1A	
Primary current A ↓	Burden VA ↓	Accuracy class		Accuracy class	
		0.5	1	0.5	1
300	5		●		
400	2.5			●	
400	10		●		●
500	2.5			●	
500	5	●			
750	10		●		
800	10	●	●		
800	15			●	
1000	10		●		
1000	15			●	
1000	30		●		
1250	5			●	
1250	10		●		
1250	15		●		

4. Accessories and options for WSK

Accessory	Description
Mounting	<p>A foot angle for screw or busbar mounting is supplied, including screws with isolating protection caps. A DIN-rail mounting accessory is available only for the CT types where stated.</p> 
Sealed shutter	<p>A transparent sealed shutter is available for some CT types. It protects the transformer while keeping the type label visible. Availability and part numbers are listed under each CT model.</p> 
Test certificate	<p>A test certificate can be ordered for a specific transformer. Select this option when placing the order.</p>
Excitation curve	<p>An excitation curve can be ordered for individual CT types. Select this option when placing the order.</p>
Optional frequency	<p>Standard frequency range is 50–60 Hz. Contact DEIF for special versions with other frequency ranges.</p>
Cast resin	<p>Cast resin is standard for CTs with nominal current > 4000 A. For CTs < 4000 A, cast resin is available on request. Weight values differ from the standard minimum and maximum specifications when cast resin is selected.</p>