

Generator features

Stage V and Tier 4 final support

- AGC 150 meets the Tier 4 (Final)/Stage V requirements.
- Monitor and control the exhaust after-treatment system from the display

Compatibility

- Power management compatibility with a large range of AGC and ASC controllers
- Compatible with a wide range of equipment
 - For example, input/output expansion modules

Extensive range of supported protocols

- The AGC supports many controllers and engines

Remote display version

- Second display unit for the controller

Single controller

- Use a single controller to protect and control a genset, a genset breaker, and a mains breaker
- Useful for **rental** applications
- Requires a mains power measurement to do peak shaving, load take-over and MPE

Multiple controller applications

These applications can share the load without using power management. The generators do not automatically start, stop, connect, and disconnect.

- Analogue load sharing with external box
- Digital load sharing (CANshare)
 - Possible to have up to 128 gensets

Power management

The power management system:

- Automatically starts and stops generators
 - Load-dependent start and stop
- Automatically opens and closes breakers
- Optimises the fuel consumption
 - Asymmetrical load sharing
- Balances the loads in the system
- Uses plant logic
- Makes sure that the system is safe

Energy/power management system

Use AGC 150 generator controllers with AGC 150 mains and AGC 150 BTB controllers for power management in a system with solar and storage controllers.

Graphical supervision page

You can monitor the complete power management system from a graphical supervision page in the utility software.

About AGC 150 Generator

In the simplest applications, you can use one AGC 150 Generator controller to control one genset.

Several AGC 150 controllers can work together to make a power management system (PMS). These applications include synchronisation, island operation, and running parallel to mains. The PMS can automatically start and stop gensets, and open and close breakers.

You can also use AGC 150 in power management systems with other DEIF controllers.

The AGC 150 Generator controller contains all the functions needed to protect and control a genset, and the genset breaker. If you do not use power management, the controller can also protect and control the mains breaker.

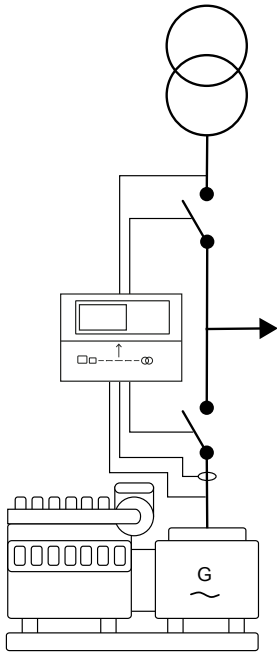
Easy and user-friendly display

- Configurable display pages
- Use the display buttons to operate the system
- Configurable shortcuts
- Adjustable mimics
- 20 configurable graphical screens
- Sunlight-readable LCD screen
- Supports multiple display languages
 - Including Chinese, Russian, and other languages with special characters

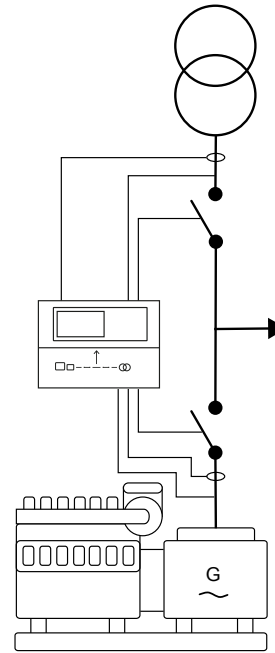
Emulation for testing and commissioning

- Use the emulation tool to verify and test the functionality of the application.
- Useful for training, customising plant requirements and for testing basic functionality that needs to be set up or verified.

Single controller

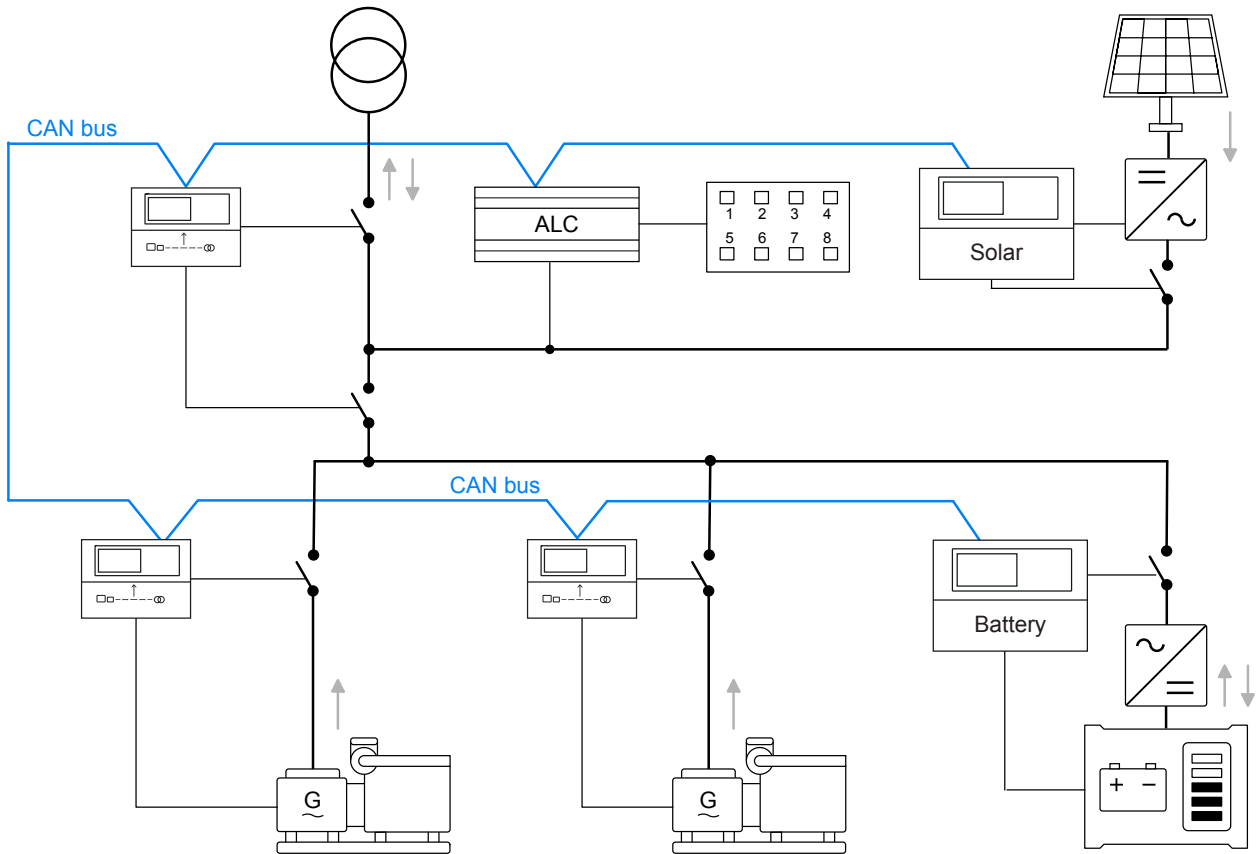


Automatic mains failure (AMF) and fixed power



Peak shaving, load take-over and mains power export

Power management



AGC 150 in power management with storage and battery controllers

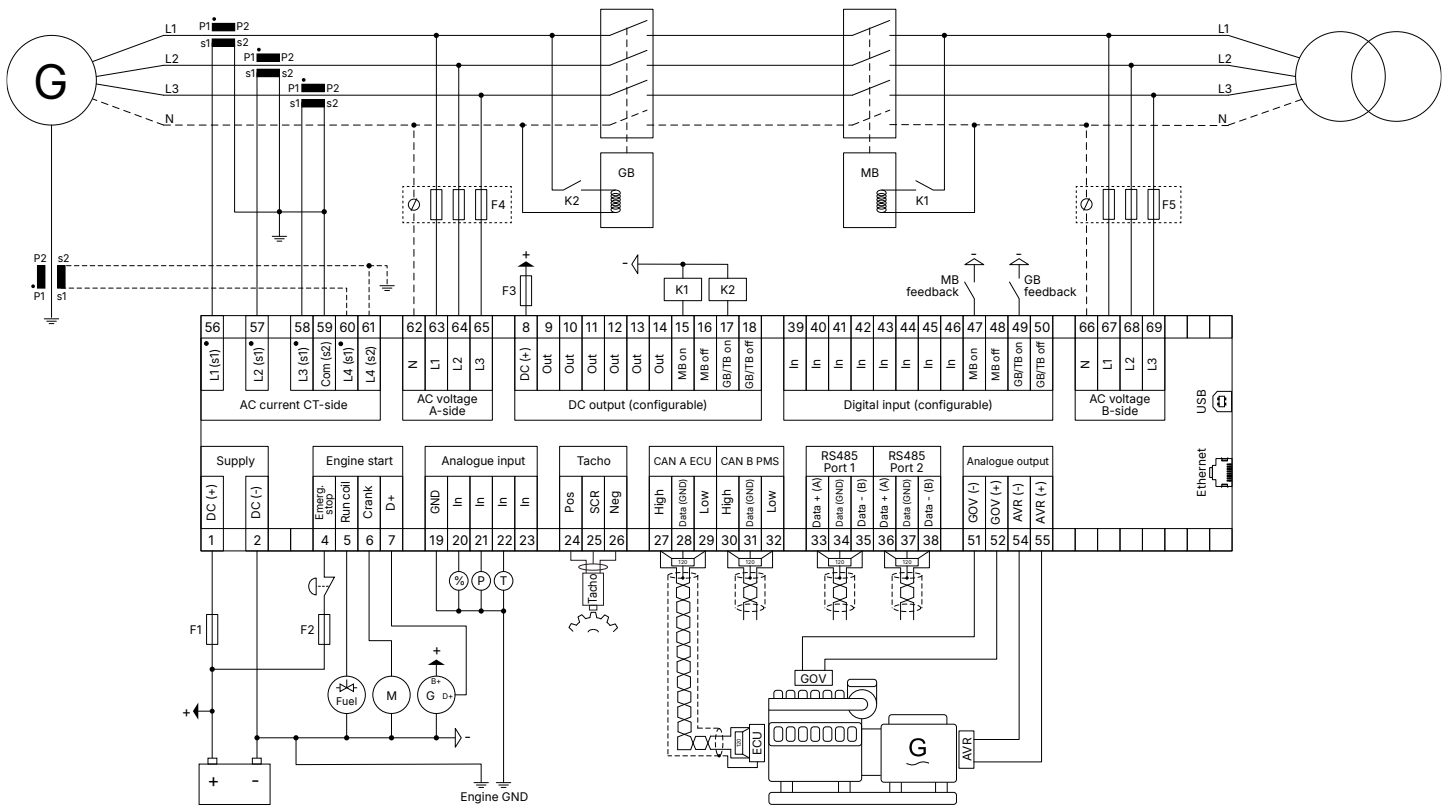
Key generator functions

- Engine start sequences
- Configurable run coil and crank for electric engine
- Support for diesel and gas gensets
- 3-phase genset and busbar sensing
- Phase compensation for D/Y transformer
- 4 x current sensing inputs
- Synchroscope and sync check
- Support for various digital voltage regulators
- Integrated governor and AVR outputs
- Voltage and frequency matching
- Three synchronisation methods: dynamic, static, and close before excitation
- Dead bus sensing
- Ground relay

Key generator functions

- Fuel usage monitoring
- Four configurable PID controllers
- Mains support for stand-alone systems (AMF)
- Maintenance alarms
- Controller configuration possible from the display or with PC tool
- PC tool with trending
- CAN flags between controllers
- CANbus based extension I/O module
- Real-time clock
- User-configurable logic (lite PLC)
- Event log with 500 entries
- Alarm log with 500 entries

Typical wiring for generator controller



Communication

- CAN A
- CAN B
- Engine communication using CAN bus
- RS-485 Port 1
- RS-485 Port 2
- RJ45 Ethernet
- USB

Approvals

- CE
 - UL/cUL Listed to - UL/ULC6200:2019 1.ed. Controllers for Use in Power Production
- See www.deif.com for the most recent approvals.

AC measuring

- Voltage: 100 to 690 V phase-to-phase (10 to 135 %), ±1 %
- Current: 1 A or 5 A (2 to 300 %), ±1 %
- Frequency: 3.5 to 75 Hz

Power supply

- Nominal voltage: 12/24 V DC
- Operating range: 6.5 to 36 V DC
- Load dump protection: ISO16750-2
- Operating range: 6.5 to 36 V DC

Inputs and outputs

- Digital inputs: 12 x (max. +36 V, min. -24 V)
- Digital outputs:
 - 2 x (15 A inrush, 3 A continuously)
 - 10 x (2 A inrush, 0.5 A continuously)
 - Common: 12/24 V DC
- 4 x analogue inputs
- 2 x analogue outputs
- CAN bus A and B
- RS-485 1 and 2
- RJ-45 Ethernet
- USB (service port)

Environmental specifications

- Operating temperature: -40 to +70 °C (-40 to +158 °F)
- Battery temperature: -40 to +85 °C (-40 to +185 °F)
- Altitude: 0 to 4000 m with derating
- Humidity: 20/55 °C at 97 %
- Protection degree: IP65 in panel, IP20 on terminals
- Pollution degree 2
- Self-extinguishing plastic

Protections

| | |
|---|-----------------------|
| 3 x Reverse power..... | ANSI 32R |
| 2 x Fast over-current..... | ANSI 50P |
| 4 x Over-current..... | ANSI 50TD |
| 2 x Over-voltage..... | ANSI 59 |
| 3 x Under-voltage..... | ANSI 27P |
| 3 x Over-frequency..... | ANSI 81O |
| 3 x Under-frequency..... | ANSI 81U |
| 1 x Unbalance voltage..... | ANSI 47 |
| 1 x Unbalance current..... | ANSI 46 |
| 5 x Overload*..... | ANSI 32F |
| 1 x Inverse time earth over-current..... | ANSI 50G |
| 1 x Inverse time neutral over-current..... | ANSI 50N |
| 3 x Busbar/mains over-voltage..... | ANSI 59P |
| 4 x Busbar/mains under-voltage..... | ANSI 27P |
| 3 x Busbar/mains over-frequency..... | ANSI 81O |
| 3 x Busbar/mains under-frequency..... | ANSI 81U |
| 1 x Breaker open failure..... | ANSI 52BF |
| 1 x Breaker close failure..... | ANSI 52BF |
| 1 x Breaker position failure..... | ANSI 52BF |
| 1 x Phase sequence error..... | ANSI 47 |
| 1 x Vector shift..... | ANSI 78 |
| 1 x ROCOF df/dt..... | ANSI 81R |
| 2 x Directional over-current..... | ANSI 67 |
| 1 x Negative sequence voltage high..... | ANSI 47 |
| 1 x Negative sequence current high..... | ANSI 46I ₂ |
| 1 x Power-dependent reactive power..... | ANSI 40 |
| 1 x IEC/IEEE inverse time over-current..... | ANSI 51 |
| 1 x Emergency stop | |
| 1 x Generator breaker external trip | |
| Synchronisation failure alarms (1/breaker) | |
| 1 x De-load error | |
| 1 x Hz/V failure | |
| 1 x Not in Auto | |
| 2 x Under-voltage and reactive power, U and Q | |

NOTE * You can configure these protections for overload or reverse power.

For more information:

DEIF A/S
Frisenborgvej 33, 7800 Skive, Denmark
Tel.: +45 9614 9614, info@deif.com
www.deif.com

