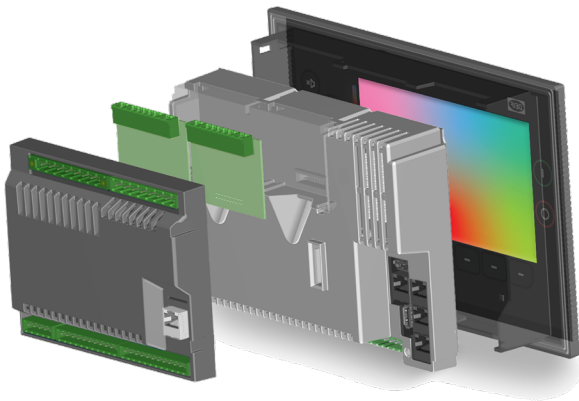


iE 250 Marine

Power to create every solution

A versatile and flexible Intelligent energy controller. Enables you to tailor the installation for your marine application.

An extensive range of control, protection and supervision features. Applications range from genset control and protection to engineered Power management solutions with our market-leading fuel optimisation technology.



Software packages

Build a software package with only the features you need.

Core software package

iE 250 Marine comes with the Core software package with asset protections including load sharing and synchronisation.

Power management software package

The Power management software package allows iE 250 Marine controllers to work together as one multi-master Power management system.



4189341407-D

Main values

iE 250 Marine conforms to marine requirements

Easy and user-friendly interface

- Easy control with flexible dashboards
- Adaptive mimics
- Configurable buttons
- 7" colour touch screen that can be used in combination with buttons

Cross-hardware compatibility

- The iE 250 and iE 350 Marine are compatible across hardware, with iE 250 offering a cost-effective choice for standard applications while the iE 350 adds greater flexibility for more complex system designs.

Remote display version

- A second display unit for a controller

Event log

- The controller stores up to 2000 log entries and discards the oldest using First In, First Out when full.

PLC functions

- Programmable functions with CustomLogic
- CODESYS add-on available

Fast short-cut button

- Configurable shortcut feature gives the user easy access to frequently used functions.

Flexible

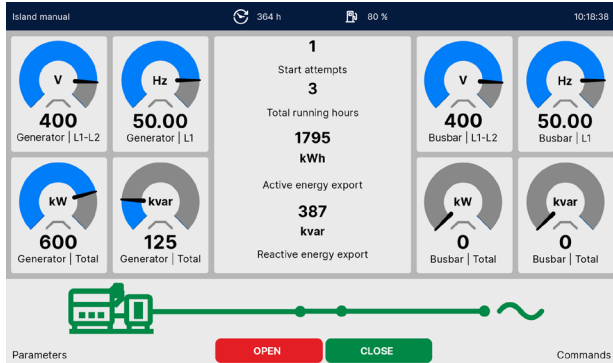
- Modular build-up
- Base mount or front mount
- Plug-in modules
- Bi-directional inputs/outputs

Flexible product

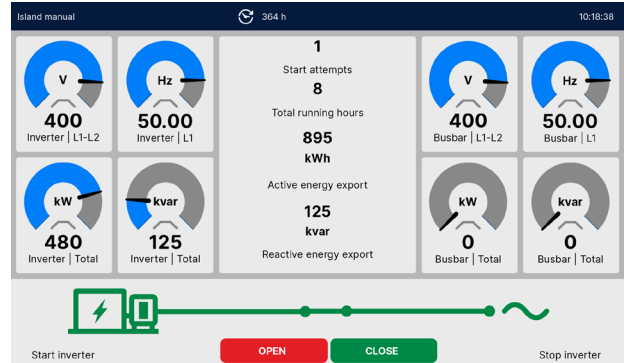
Flexible adaptive mimic

The latest generation of adaptive mimic allows the controller to adapt to any application.

GENSET controller application



HYBRID controller application

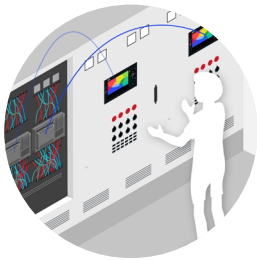


Mount anywhere

A truly flexible approach to how and where you can mount the controller with or without display.



Front-mounted
Display and controller easily installed at the front.



Base-mounted with remote display
Mount the controller at the base and the display located further away.

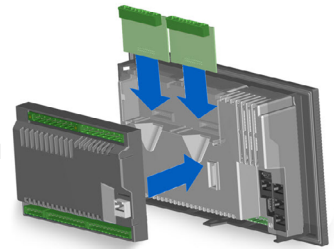


Base-mounted
Mount the controller at the base and the display located nearby.

Extensive input/output possibilities

Direct plug-in input/output modules and expansion slots.

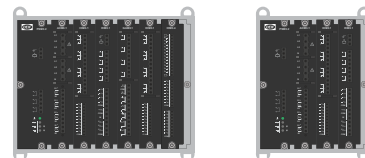
- Plug-in-modules
- Digital I/O (8 bi-directional channels)
 - Analogue I/O (4 bi-directional channels)



Measurement Input and Output module (MIO) has bidirectional digital and analogue terminals. Smart flexibility allows you to use them for what you need.



Full support for the range of iE 650 racks and modules when used with CODESYS.

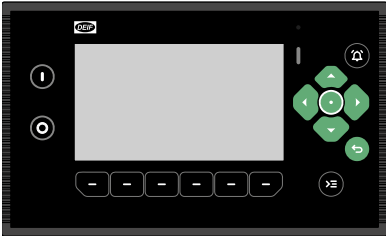


Full support for the Series 300 racks R4.1 and R7.1 with a range of IOM3.x modules.

Easy to use

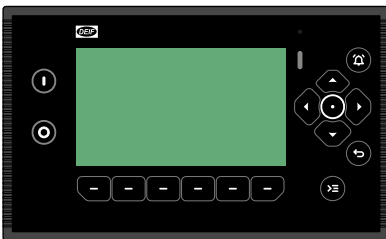
Easy control

Flexible control for faster and easier operation.



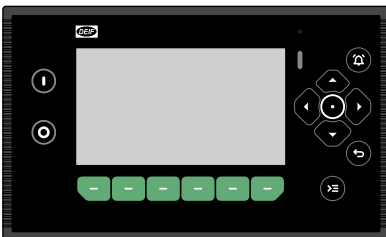
6-way navigation

Button navigation for control, selection, and entering information.



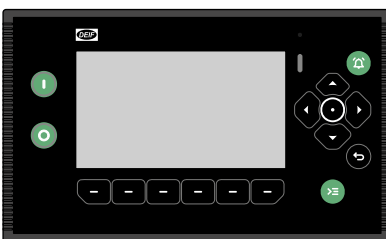
Touch screen

Easy to use touch interface for most functions. This feature can also be disabled.



Configurable buttons

Six configurable buttons, allow direct functions from pages.

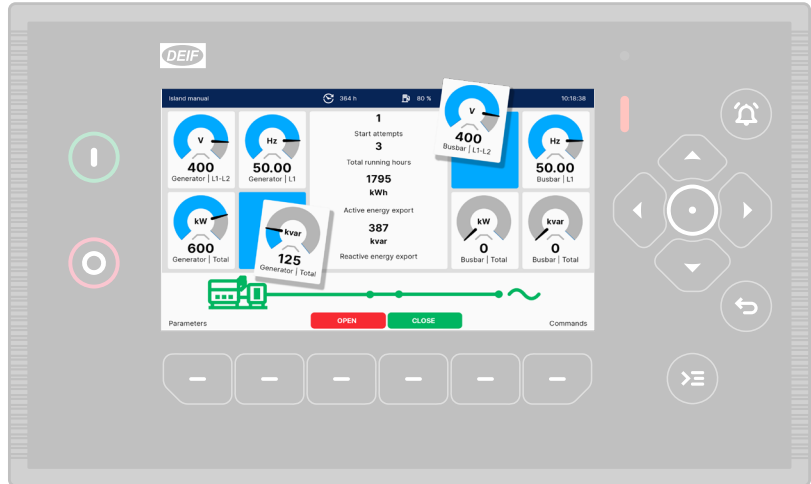


Dedicated buttons

Dedicated buttons for start, stop of the asset, Notification centre and Control centre.

Flexible dashboards

Easy to change dashboards to fit your own needs.



Modern user interface

Fast, easy to use, and intuitive navigation system.

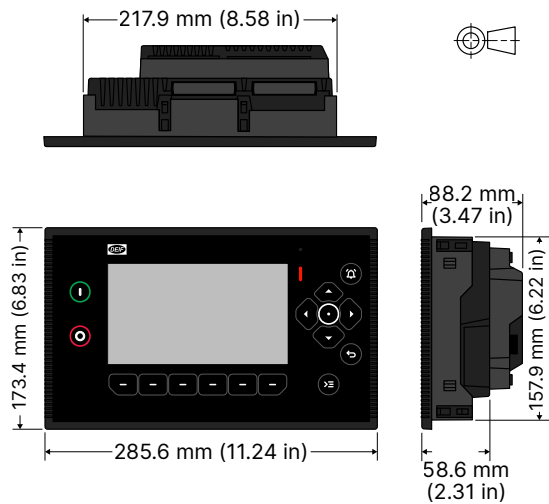


Cybersecurity

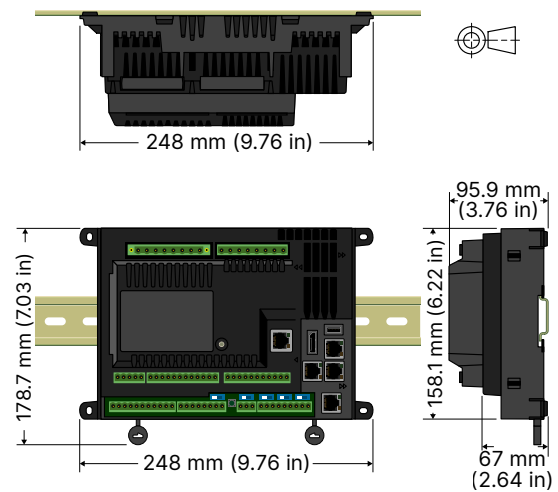
Cybersecurity is certified to IACS UR E27 requirements.

Dimensions and technical specifications

Front-mounted



Base-mounted



Power supply

- Power supply voltage (nominal): 12 V DC or 24 V DC
- Power supply voltage (operating): 6.5 V DC to 36 V DC
- Load-dump protection: Protected according to ISO16750-2 test A
- Power consumption: 15 W typical, 28 W maximum

Operating conditions

- Operating temperature: -30 to +70 °C (-22 to +158 °F)
- Storage temperature: -30 to +80 °C (-22 to +176 °F)

Measuring

- Nominal voltage: 100 to 690 V AC, phase-to-phase
- Voltage measurement range: 5 to 931.5 V AC, phase-to-phase

- Voltage accuracy: Class 0.5
- Nominal current: 1 or 5 A AC from current transformer
- Current measurement range: 0.005 to 20 A AC
- Current accuracy: Class 0.005
- Frequency measurement range: 10 to 75 Hz
- Power accuracy: Class 0.5

Approvals

- Standards: CE, UKCA
- UL/cUL Listed to - UL/ULC6200:2019 1.ed. Controllers for Use in Power Production
- Marine certificates: ABS, BV, DNV, LR
- Cybersecurity certificate: IACS UR E27
- Cybersecurity IACS UR E27: ABS, BV, DNV, LR

iE 250 Marine
Read here

